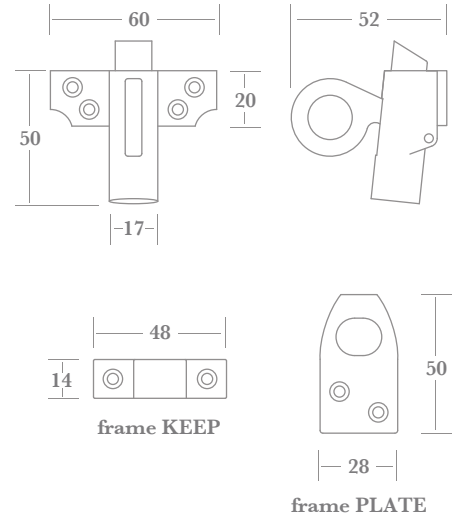


# Fanlight Catches

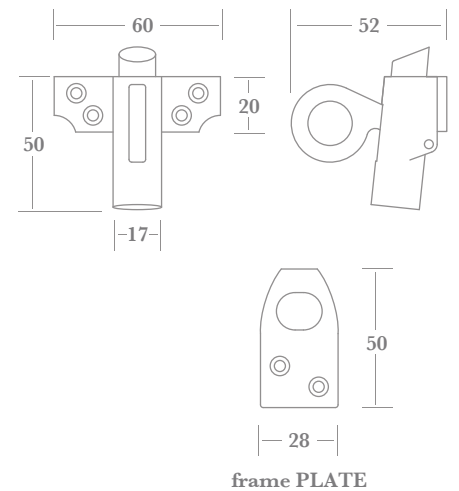
First seen in the George Allart catalogue of 1938 the 'Allart Patent Oil Bath Fanlight Catch' offered many unique features which enabled it to become a classic of its time.

Originally designed for Pole Hook operation of bottom hung open-in traditional fanlights, today a version with a reversed shoot for open-out applications is also available.



▲ **0737** (supplied with both KEEP & PLATE).  
**0737K** (supplied with KEEP only). **0737P** (supplied with PLATE only).

**REVERSED SHOOT**  
designed for  
OPEN - OUT  
windows



▲ **0738** (supplied with PLATE only).

## Fixings

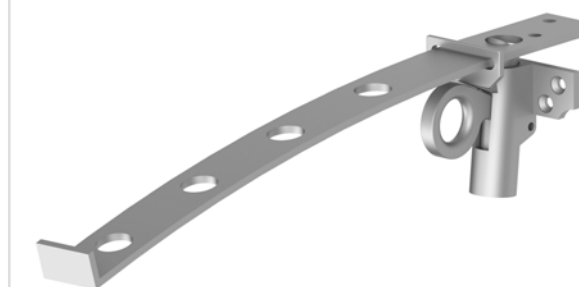
Supplied with finish matched no.6 x 19mm wood screws.

## How to Order

- 1) select PRODUCT (e.g. **0737P**)
- 2) add FINISH (e.g. **0737P/PB**).

**Finishes** - See our price list or website for finish availability.

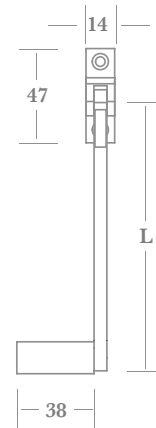
## INTEGRATED FANLIGHT CATCH & STAY BAR



Integrated Fanlight Catch & Stay Bar designed for circular and shaped open-in windows where standard Fanlight Stays cannot be used. Available made-to-order only.

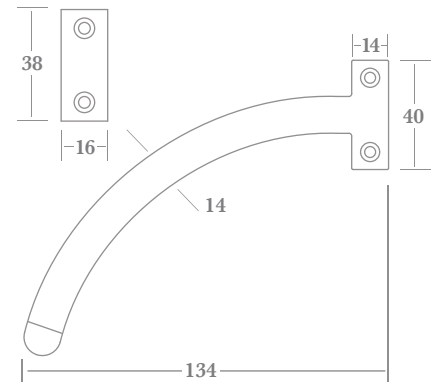
## Fanlight Stays & Pole Hook

The 4589 Fanlight Stay is designed to limit the opening position of a traditional bottom hung open-in fanlight window. It is sold singly, but can be used in pairs.



	A	B
L (length)	152	203

▲ 4589



▲ 0740

The 0740 Fanlight Stay Set is designed to be fitted as a pair to a traditional bottom hung open-in fanlight window. It is supplied with Strike Plates to protect the window face from damage.

The Pole Hook is designed to accept a formed 25mm wooden pole. A Pole Hook Holder for wall fixing is also available.

### Fixings

Supplied with finish matched no.6 x 19mm wood screws, except 4589 supplied with finished matched no.8 x 25mm wood screws.

### How to Order

- 1) select PRODUCT (e.g. 4589)
  - 2) add FINISH (e.g. 4589PB).
- 4589 only - add SIZE (e.g. 4589PC/B).

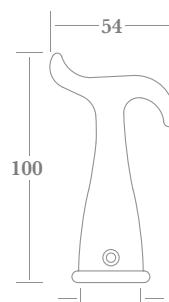
**Finishes** - See our price list or website for finish availability.



▲ 2155 Pole Hook



▲ 2159 Pole Hook Holder



Suitable for Ø25mm Wooden Pole

