



Frank Allart Product Specification Catalogue

Update July 2021

Please update your Catalogue binder with the attached new or replacement pages, as follows:

- Updated Numerical Index
- ST1:030 - longer Lever options added
- ST1:040 - new Lever added
- ST1:050 - new Lever added
- ST1:110 - 7736 new Lever replaces 7731
- ST2:080 - new Door Knob added
- ST2:090 - 7635 moved to page (from ST2:080)
- ST3:040 - three new Rosettes added
- ST6:050 - side view and projections added
- ST6:060 - side view and projections added
- DF4 section - all pages - new images, updated design turn piece, mortice size dimensions amended
- DF5:130 - side view and projections added
- DF5:140 - side view and projections added
- CF3:010 - 0881 & 1372 Discontinued
- DB1:010 - 0454 Discontinued
- WF1:020 - new Handle added
- WF1:030 - new Handle added
- WF1:040 - 0361 moved to page (from WF1:030)
- WF2:070 - new Handle added

Numeric Index

ST - Allart Select • **DF** - Door Furniture • **CF** - Cabinet Furniture
DB - Door Bolts & Cremone Bolts • **WF** - Window Furniture • **MC** - Miscellaneous

0093..... DF5:110	0631-84ROSE.....	1620-39 DF1:080	3038-45 DF2:020	47 Backplate ST4:060
0139-50 DF6:030	CF1:001	1640-59 DF1:090	3048..... DF2:010	47 Flush Pull DF4:010
0151..... ST6:070	0640-63 CF1:005	1728-29 DF3:150	3189..... MC2:030	4700..... ST4:030
0155..... DF6:070	0644-47 CF1:006	1760-89 DF1:060	32 Backplate ST4:050	4702..... DF6:140
0159-69 DF6:080	0660-61 CF2:050	1800-29 DF1:070	32 Flush Pull DF4:010	4703..... ST7:085
0173-76 DF6:065	0664-67 CF1:045	1849..... DF6:080	3200..... ST4:030	4704..... ST7:105
0179-84 ... WF3:020	0668-69 CF1:046	1864-68 DF6:065	3202..... DF6:140	4705..... DF4:005
0185-89 ... WF3:010	0670..... CF1:080	1871..... DF6:080	3203..... ST7:085	4706..... DF4:007
0190-94 ... WF3:030	0671-72 CF1:050	1876..... DF6:070	3205..... DF4:005	4707..... DF4:045
0203..... WF3:040	0674..... CF1:080	1880..... DF6:065	3206..... DF4:007	4720..... DF6:130
0210-11 ... WF2:190	0675-76 CF1:050	1885-92 DF6:080	3207..... DF4:045	4730..... DF3:145
0222..... WF2:080	0677-80 CF1:010	1893..... DF6:100	3230..... DF3:145	4750..... ST4:020
0250..... WF3:060	0681-82 CF1:080	1910-17 CF2:030&DF3:110	3250..... ST4:020	4751..... ST4:010
0290..... WF1:030	0683-84 CF1:046	1975..... DF3:070	3252..... DF6:140	4752..... DF6:140
0291..... WF2:070	0685-87 CF1:010	1976..... DF3:060	3253... ST7:090-100	4753... ST7:090-100
0292..... WF1:020	0689-91 CF1:050	1976-77 DF3:070	3280..... DF3:140	4754... ST7:110-120
0293..... WF2:070	0692-97 CF1:030	1979-80 DF3:060	3327-28 ... WF2:130	4770..... DF6:130
0300..... WF1:030	0698-99 CF1:045	1982-89 CF2:040&DF3:100	3342-44 ... WF2:120	4780..... DF3:140
0301..... WF2:070	0737-38 ... WF4:010	1996-97 DF5:110	3350..... DF5:060	49 Backplate ST4:070
0302..... WF1:030	0740..... WF4:020	2089..... MC1:040	3351..... DF5:010	49 Flush Pull DF4:010
0303..... WF2:070	0801..... DB3:040	2100..... DF6:080	3352..... DF5:120	4900..... ST4:030
0304..... WF1:030	0807..... DB3:050	2108..... MC1:010	3354..... DF5:040	4902..... DF6:140
0305..... WF2:070	0810..... DB3:020	2111..... MC1:030	3355..... DF5:060	4903..... ST7:085
0306..... WF1:020	0822..... DB3:030	2112-14 ... MC1:040	3356..... DF5:010	4904..... ST7:105
0307..... WF2:070	0836..... DB3:060	2115..... MC1:030	3357..... DF5:120	4905..... DF4:005
0308..... WF1:020	0846..... DB3:070	2116..... MC1:030	3359..... DF5:040	4906..... DF4:007
0309..... WF2:070	0850..... DB3:080	2117..... MC1:010	3360..... DF5:070	4907..... DF4:045
0310-14 ... WF2:050	0851..... DB3:090	2118..... MC1:030	3361..... DF5:020	4920..... DF6:130
0330..... WF2:010	0870..... DB3:100	2119-20 ... MC1:020	3362..... DF5:120	4930..... DF3:145
0335..... WF2:090	0871..... DB3:110	2122-23 ... MC1:040	3364..... DF5:040	4950..... ST4:020
0339-42 ... WF2:020	0980-94 ... WF3:050	2125-26 ... MC1:020	3365-66 DF5:010	4951..... ST4:010
0343-45 ... WF2:030	1004..... WF2:120	2130..... MC1:040	3375..... DF5:070	4952..... DF6:140
0346..... WF2:090	1009..... WF3:040	2155-59 ... WF4:020	3376..... DF5:020	4953... ST7:090-100
0348..... WF2:060	1014..... DF2:030	2294-95 DF3:150	3377..... DF5:120	4954... ST7:110-120
0350..... WF1:010	1017..... DF2:050	2469 CF3:010	3379..... DF5:040	4970..... DF6:130
0351-52 ... WF1:020	1018..... DF2:030	2523..... DF6:070	3711-69 DF1:150	4980..... DF3:140
0353-54 ... WF2:060	1021..... DF2:050	2530-38 DF5:100	3821..... DF2:040	5050-99 DF1:160
0355..... WF1:010	1022..... DF2:010	2564..... DF5:060	3924..... DF6:065	5220-69 DF1:030
0358-59 ... WF1:040	1023..... DF2:030	2580..... DF5:006	3927..... DF5:130	5331-59 DF1:040
0360..... WF1:030	1024..... DF2:070	2590..... DF5:020	3928..... DF6:100	5361-89 DF1:050
0361..... WF1:040	1025..... CF3:010	2591..... DF5:030	3934..... CF2:010&DF3:130	5410-39 DF1:020
0372-79 ... WF2:110	1027..... DF2:030	2592..... DF5:020	3938-40 DF3:130	5510-39 DF1:010
0380-95 ... WF2:100	1032-41 DF2:070	2593..... DF5:030	3944..... DF4:050	5640-41 DB2:010
0440-41 DB2:020	1080-90 DF4:060	2594..... DF5:030	4057-71 DF5:130-140	5642..... DB4:010
0443..... DB2:040	1101-02 DF5:050	2596-99 DF5:005	4200-29 DF1:180	5640ASP ..DB4:010
0445..... DB1:010	1155-59 DF4:050	2651..... MC2:010	4325..... CF2:010	5644..... DB2:040
0448..... DB1:080	1210-8 DF1:260	2653..... DF5:030 & DF3:030	5645..... DB2:010
0460..... DB2:050	1279-86 ... MC2:020	2680-93 DF5:105	4330..... DF3:030	5650-54 DB2:030
0474-76 ... MC2:030	1301-19 ... MC2:020	2713-14 DF4:050	4350-61 CF2:020&DF3:120	5720-69 DF1:190
0515-17 ... MC3:070	1433-35 DF3:020&CF2:010	2721-55 ST3:010	4377-80 DF4:070	59 Backplate ST4:080
0521..... WF2:190	1436..... WF3:040&CF2:060	3004-06 DF1:250	4400-29 DF1:120	59 Flush Pull DF4:010
0523-24 DF6:010	1441..... DF3:150	3007-09 DF6:100	4450-79 DF1:130	5900..... ST4:030
0525-26 ... MC3:070	1442-46 DF3:020	3034..... DF2:020	4589..... WF4:020	5902..... DF6:140
0532-34 DF6:010	1501-29 DF1:100	3035-36 DF2:010	4600-29 DF1:170	5903..... ST7:085
06/060S ... ST6:070	1551-79 DF1:110	3037..... DF2:040		5904..... ST7:105
0600-20 DB4:010				5905..... DF4:005
0630-37 CF1:007				5906..... DF4:007

Numeric Index

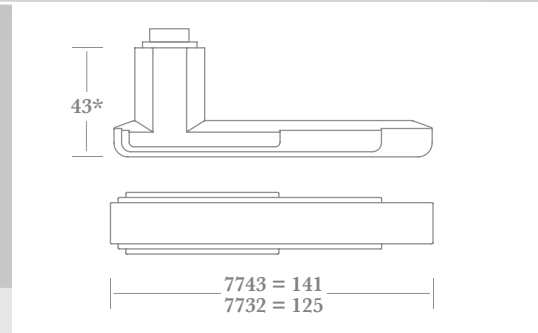
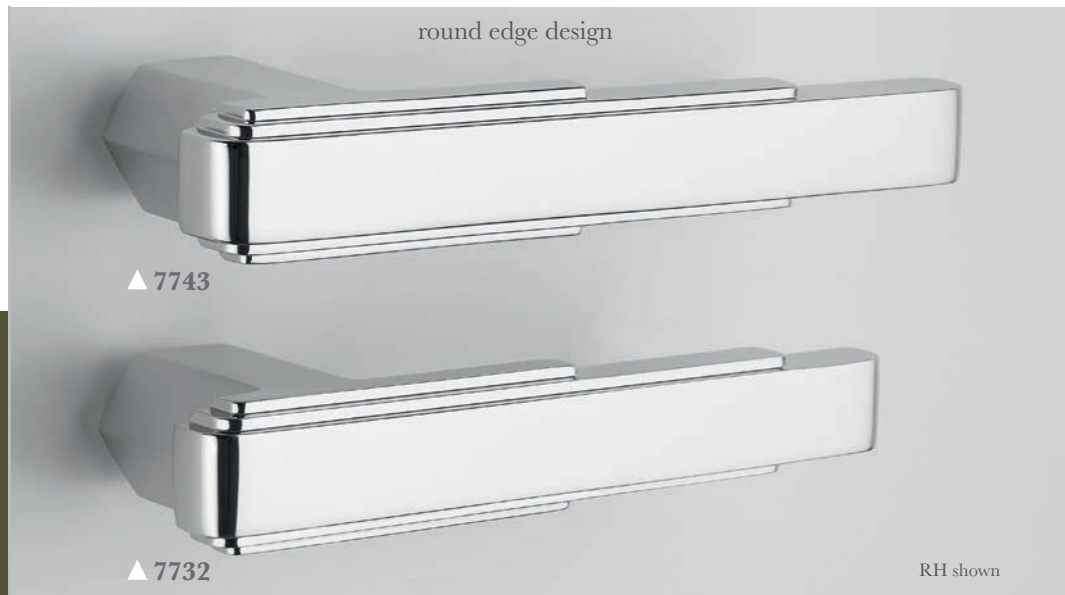
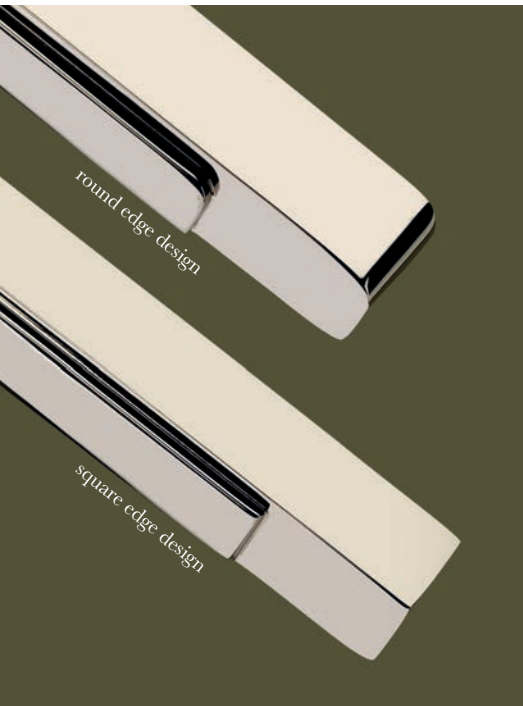
ST - Allart Select • **DF** - Door Furniture • **CF** - Cabinet Furniture
DB - Door Bolts & Cremone Bolts • **WF** - Window Furniture • **MC** - Miscellaneous

5907.....DF4:045	6730.....DF3:145	7631.....ST2:070	7837.....ST3:050	8920-28ST7:086
5920.....DF6:130	6750.....ST4:020	7632.....ST2:008	7838-41ST3:020	8930-33ST7:106
5930.....DF3:145	6752.....DF6:140	7634.....ST2:100	7842-47ST3:030	8950-58ST7:086
5950.....ST4:020	6753...ST7:090-100	7635-6ST2:090	7848-49ST3:040	8960-63ST7:106
5951.....ST4:010	6780.....DF3:140	7637.....ST2:060	7851.....DF5:090	8980-99 ..DF6:065-6
5952.....DF6:140	68 Backplate ST4:120	7638.....ST2:100	7852-53DF5:080	9000-05 ...DF2:080
5953...ST7:090-100	68 Flush Pull DF4:010	7641-45ST2:110	7854.....DF5:090	9011-32DF1:140
5954...ST7:110-120	6800.....ST4:030	7648.....ST2:080	7855-56DF5:080	9150-52DF2:050
5970.....DF6:130	6802.....DF6:140	7650-51ST2:006	7857-58DF5:090	9153.....DF2:060
5980.....DF3:140	6803.....ST7:085	7653.....ST2:150	7859-60DF5:080	9154.....DF2:050
60 Backplate ST4:090	6805.....DF4:005	7657.....ST2:070	7861-62DF5:090	9155-57DF2:060
60 Flush Pull DF4:010	6806.....DF4:007	7660-61ST2:020	7890-94DF6:050	9158-59DF6:070
6000.....ST4:030	6807.....DF4:045	7665.....ST2:030	7897-99DF6:080	9168-69CF1:080
6002.....DF6:140	6830.....DF3:145	7666.....ST2:050	7900-01DF6:060	9171-79CF1:020
6003.....ST7:085	6850.....ST4:020	7667.....ST2:040	7901KEY ..ST6:070	9231.....DF2:060
6004.....ST7:105	6852.....DF6:140	7668-69ST2:010	7902-13DF6:040	9402-04DF6:070
6005.....DF4:005	6853...ST7:090-100	7672.....ST2:040	7914.....DF6:060	9405-11DF6:100
6006.....DF4:007	6880.....DF3:140	7674.....ST2:030	7916-56	9416-34
6007.....DF4:045	6998.....DF3:050	7694.....ST2:050ST7:050-080DF6:010-020
6020.....DF6:130	6999.....	7706.....ST1:060	7961-62DF6:065	9453.....DF5:050
6030.....DF3:145	CF2:010&DF3:040	7710-14ST1:100	7963.....DF6:020	9464.....DF5:020
6050.....ST4:020	7000.....DF3:050	7716-17ST1:070&DF6:070	9471.....DF5:070
6051.....ST4:010	7001-02 ...DF3:040	7720-24ST1:140	7964-68DF6:065	9472.....DF5:110
6052.....DF6:140	7075-77 ...WF2:180	7728-29ST1:020	7969.....DF6:070	9502-04CF2:060
6053...ST7:090-100	7205.....WF3:050	7730.....ST1:145	7970-71DF6:065	9512.....CF2:010
6054...ST7:110-120	7210-26CF1:060	7732.....ST1:030	7972-77DF6:070&DF3:090
6070.....DF6:130	7230-46CF1:070	7733.....ST1:090	7978.....DF6:080	9513-16DF3:090
6080.....DF3:140	7250-58 ..DF4:001-2	7734.....ST1:030	7980-85DF6:120	9531.....CF2:010
6100-39DF1:200	7270-78 ..DF4:003-4	7736-40ST1:110	7986-89DF6:110&DF3:080
6473-81DB1:020	7400-13DF6:125	7741-42ST1:010	7998-99DF6:040	9533.....DF3:080
6487.....DB1:070	7420-27 ...MC4:010	7743-44ST1:030	8000.....DF5:160	9538.....DF4:050
6492-94DB1:060	7453.....DF5:070	7761.....ST1:130	8004.....DF6:040	9541.....DF3:080
6501-03DB1:050	7460-72	7762.....ST1:120	8015-18 ...WF2:120	9552-54 ...MC2:010
6507.....DB1:030ST7:010-020	7764.....ST1:040	8020-27	9570-71 ...WF2:110
6510-22DB1:040	7480-92ST7:030	7766.....ST1:130WF2:140-150	9576.....WF2:080
6536.....DB1:030	7500-12 ...MC3:060	7767.....ST1:120	8030-37	9578-79 ...WF2:040
66 Backplate ST4:100	7520-25 ...MC3:010	7768.....ST1:050WF2:160-170	9585.....WF1:010
66 Flush Pull DF4:010	7530-35 ...MC3:020	7769-71ST1:050	8044-46DF3:010	9590-93CF1:040
6600.....ST4:030	7540-45 ...MC3:030	7772.....ST1:080	8052-53DB1:080	9594.....WF2:090
6602.....DF6:140	7555-56 ...MC3:060	7773.....ST1:060	8060-67DF3:010	9596-98CF1:040
6603.....ST7:085	7560.....MC3:040	7774-75ST1:040	8500-11DF5:150	C01-16 ST6:050-60
6605.....DF4:005	7565.....MC3:050	7776.....ST1:090	8520-28DF5:170	K01-74DB3:160
6606.....DF4:007	7570-83DF6:090	7778.....ST1:080	8529-32DF5:190	L03-88.....
6607.....DF4:045	7614.....ST2:120	7800.....ST6:070	8540-51DF5:160DB3:120-150
6630.....DF3:145	7615.....ST2:150	7802.....MC3:090	8560-68DF5:180	R00-39ST6:040
6650.....ST4:020	7616.....ST2:150	7804.....MC3:080	87 Backplate ST4:130	T51-92.....
6652.....DF6:140	7618.....ST2:130	7805.....ST6:070	87 Flush Pull DF4:010ST6:020-030
6653...ST7:090-100	7619.....ST2:080	7806.....ST6:080	8700.....ST4:030ST7:130-140
6680.....DF3:140	7620.....ST2:005	7810-18ST6:080	8703.....ST7:085&DB3:170-180
67 Backplate ST4:110	7621.....ST2:140	7819.....ST6:070	8705.....DF4:005	
67 Flush Pull DF4:010	7622.....ST2:090	7820.....ST3:040	8706.....DF4:007	
6700.....ST4:030	7623.....ST2:120	7821-22ST3:020	8707.....DF4:045	
6702.....DF6:140	7624.....ST2:060	7823.....ST3:040	8730.....DF3:145	
6703.....ST7:085	7625.....ST2:005	7824-26ST3:050	8750.....ST4:020	
6705.....DF4:005	7627.....ST2:130	7827.....ST3:020	8752.....DF6:140	
6706.....DF4:007	7628-29ST2:007	7828-32ST3:040	8753...ST7:090-100	
6707.....DF4:045	7630.....ST2:008	7834.....ST3:020	8780.....DF3:140	

Door Levers

Four classic Art Deco period Door Levers designed to work in conjunction with the Rosettes & Backplates to be found in sections ST3 & ST4.

Complementary Thumb Turns can be found in section ST7.



Fixings

Supplied with 8mm x 110mm stainless steel lockpoint spindle and M6 grubscrew (64mm max. door thickness); alternative spindle lengths and functions are available - see pages ST6:070 & 080.

Installation instructions supplied.

How to Order

Split Finish Sets - order as singles

1) select LEVER design (e.g. **7734**)

2) add FINISH (e.g. **7734PC**)

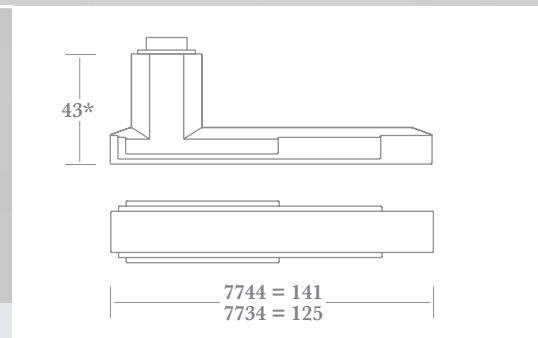
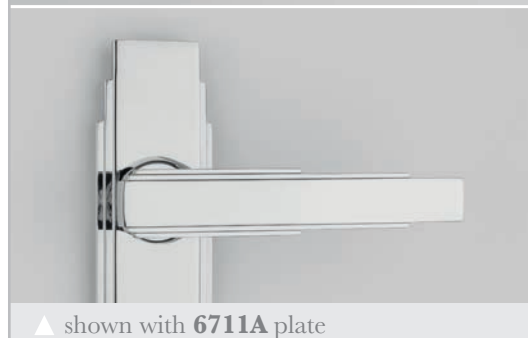
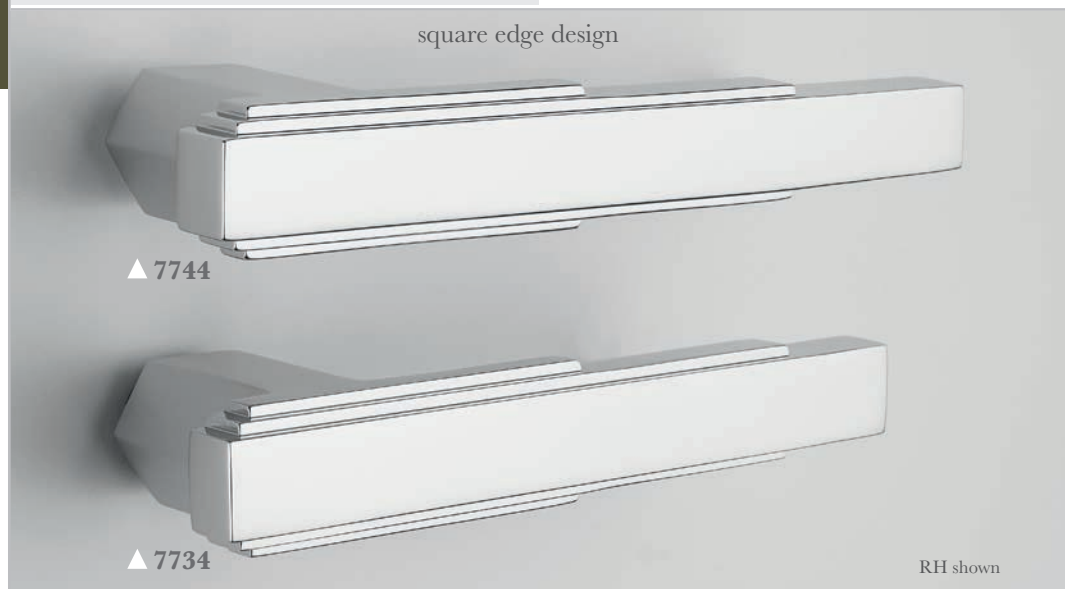
If single lever only required add HANDING (e.g. **7734PC/RH**).

For single lever as exterior pairing with a CREMONE BOLT add CM to code (e.g. **7734PC/CM**) - see DB3:200.

For use with Baldwin 7.2mm spindles, diamond orientation, add BWN to code (e.g. **7734PC/BWN**).

Backplates and Rosettes ordered separately - see sections ST3 and ST4.

Finishes - See our price list or website for finish availability.



* total projection: add 7mm for rosette & 6mm for backplate. Lever design is suitable for use with backplates fitted with either type G flush collar or type J raised collar (other raised collar designs are not recommended).

Door Levers

Traditional period Door Lever with rope knurled detailing designed to work in conjunction with the Rosettes & Backplates to be found in sections ST3 & ST4. Complementary Thumb Turns can be found in section ST7.



▲ 7774



▲ 7775



▲ 7764

Fixings

Supplied with 8mm x 110mm stainless steel lockpoint spindle and M6 grub screw (64mm max. door thickness); alternative spindle lengths and functions are available - see pages ST6:070 & 080.

Installation instructions supplied.

How to Order

Split Finish Sets -
order as singles

1) select LEVER (e.g. **7774**)

2) add FINISH (e.g. **7774PC**)

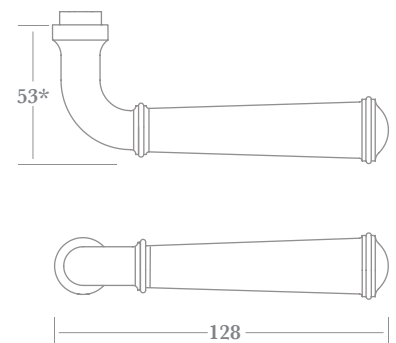
If single lever only required add HANDING (e.g. **7774PC/RH**).

For single lever as exterior pairing with a CREMONE BOLT add CM to code (e.g. **7774PC/CM**) - see DB3:200.

For use with Baldwin 7.2mm spindles, diamond orientation, add BWN to code (e.g. **7774PC/BWN**).

Backplates and Rosettes ordered separately - see sections ST3 and ST4.

Finishes - See our price list or website for finish availability.

▲ 7774 shown with **6011A** plate▲ 7774 shown with **7846B** rosette

* total projection: add 7mm for rosette, 6mm for backplate with flush collar & 10mm for plate with raised collar.

Door Levers

Four traditional period Door Levers designed to work in conjunction with the Rosettes & Backplates to be found in sections ST3 & ST4.

Complementary Thumb Turns can be found in section ST7.



▲ 7768



▲ 7769



▲ 7770



▲ 7771

Fixings

Supplied with 8mm x 110mm stainless steel lockpoint spindle and M6 grub screw (64mm max. door thickness); alternative spindle lengths and functions are available - see pages ST6:070 & 080.

Installation instructions supplied.

How to Order

Split Finish Sets - order as singles

1) select LEVER (e.g. 7769)

2) add FINISH (e.g. 7769PC)

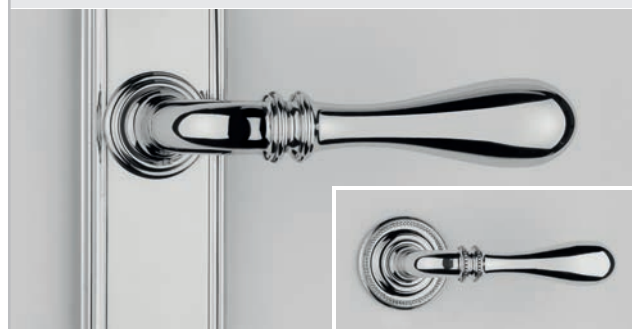
If single lever only required add HANDING (e.g. 7769PC/RH).

For single lever as exterior pairing with a CREMONE BOLT add CM to code (e.g. 7769PC/CM) - see DB3:200.

For use with Baldwin 7.2mm spindles, diamond orientation, add BWN to code (e.g. 7769PC/BWN).

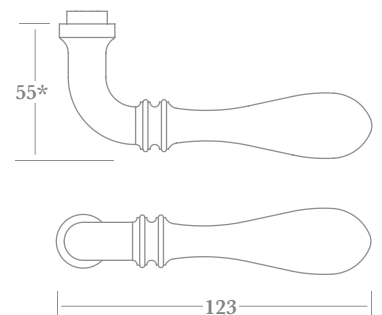
Backplates and Rosettes ordered separately - see sections ST3 and ST4.

Finishes - See our price list or website for finish availability.



▲ 7770 shown with 6011A plate

▲ 7771 shown with 7847B rosette

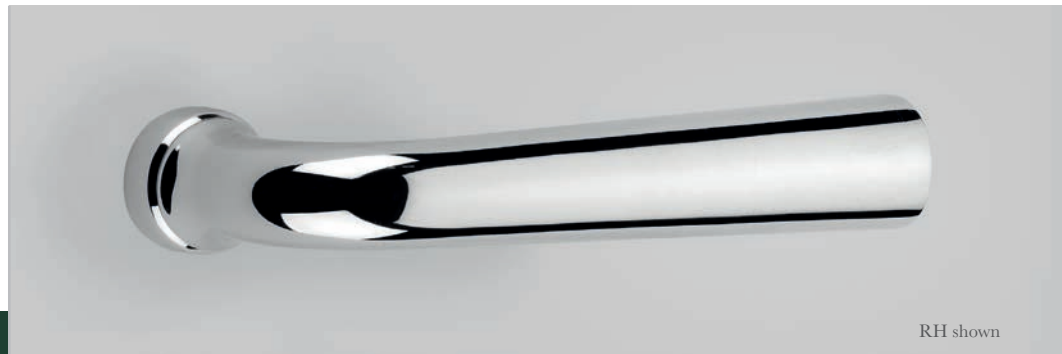


* total projection: add 7mm for rosette, 6mm for backplate with flush collar & 10mm for plate with raised collar.

Door Levers

One traditional period, and one 1960's inspired, Door Lever - both designed to work in conjunction with the Rosettes & Backplates to be found in sections ST3 & ST4.

Complementary Thumb Turns can be found in section ST7.



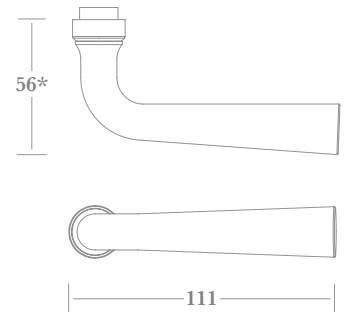
RH shown

▲ 7706



▲ with 49 series multipoint plate

▲ shown with 5951B rosette



* total projection: add 7mm for rosette, 6mm for backplate with flush collar & 10mm for plate with raised collar.

Fixings

Supplied with 8mm x 110mm stainless steel lockpoint spindle and M6 grubscrew (64mm max. door thickness); alternative spindle lengths and functions are available - see pages ST6:070 & 080.

Installation instructions supplied.

How to Order

Split Finish Sets - order as singles

1) select LEVER (e.g. **7706**)

2) add FINISH (e.g. **7706PC**)

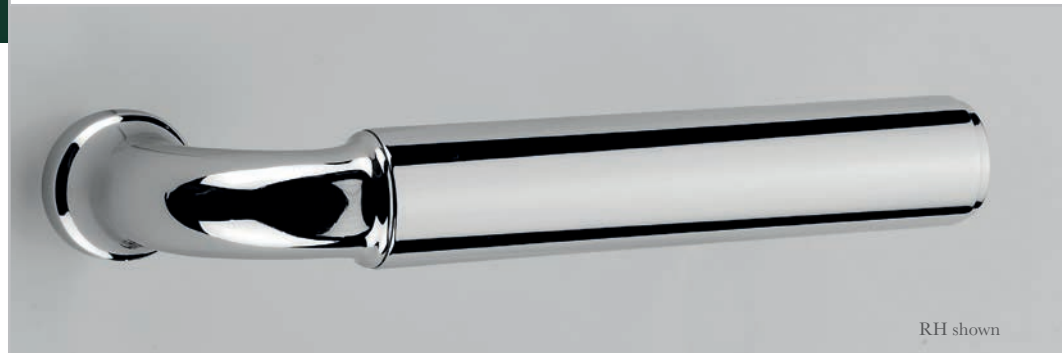
If single lever only required add HANDING (e.g. **7706PC/RH**).

For single lever as exterior pairing with a CREMONE BOLT add CM to code (e.g. **7706PC/CM**) - see DB3:200.

For use with Baldwin 7.2mm spindles, diamond orientation, add BWN to code (e.g. **7706PC/BWN**).

Backplates and Rosettes ordered separately - see sections ST3 and ST4.

Finishes - See our price list or website for finish availability.



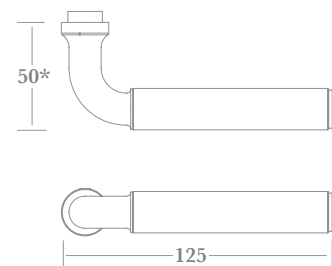
RH shown

▲ 7773



▲ with 49 series euro-profile lock plate

▲ shown with 7843B rosette



* total projection: add 7mm for rosette, 6mm for backplate with flush collar & 10mm for plate with raised collar.

Door Levers

One Art Deco and one 1950's period Door Lever - both designed to work in conjunction with the Rosettes & Backplates to be found in sections ST3 & ST4.

Complementary Thumb Turns can be found in section ST7.



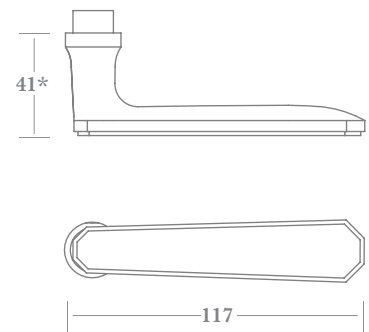
RH shown

▲ 7736



▲ shown with 6611A plate

▲ shown with 7841B rosette



* total projection: add 7mm for rosette, 6mm for backplate with flush collar & 10mm for plate with raised collar.

Fixings

Supplied with 8mm x 110mm stainless steel lockpoint spindle and M6 grubscrew (64mm max. door thickness); alternative spindle lengths and functions are available - see pages ST6:070 & 080.

Installation instructions supplied.

How to Order

Split Finish Sets - order as singles

1) select LEVER (e.g. 7736)

2) add FINISH (e.g. 7736PC)

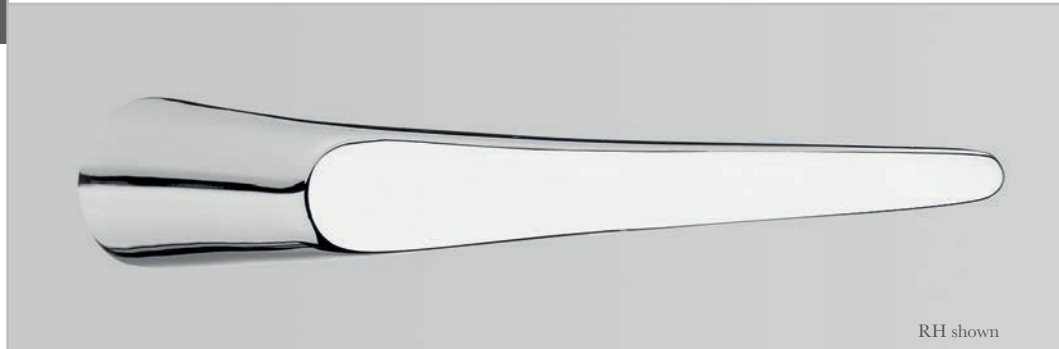
If single lever only required add HANDING (e.g. 7736PC/RH).

For single lever as exterior pairing with a CREMONE BOLT add CM to code (e.g. 7736PC/CM) - see DB3:200.

For use with Baldwin 7.2mm spindles, diamond orientation, add BWN to code (e.g. 7736PC/BWN).

Backplates and Rosettes ordered separately - see sections ST3 and ST4.

Finishes - See our price list or website for finish availability.



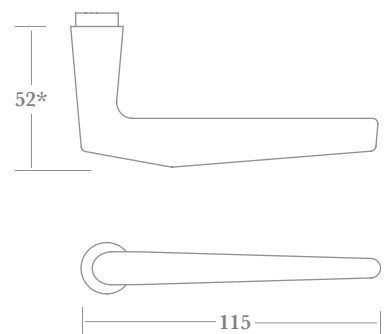
RH shown

▲ 7740



▲ shown with 5911A plate

▲ shown with 7844B rosette



* total projection: add 7mm for rosette, 6mm for backplate with flush collar & 10mm for plate with raised collar.

Door Levers

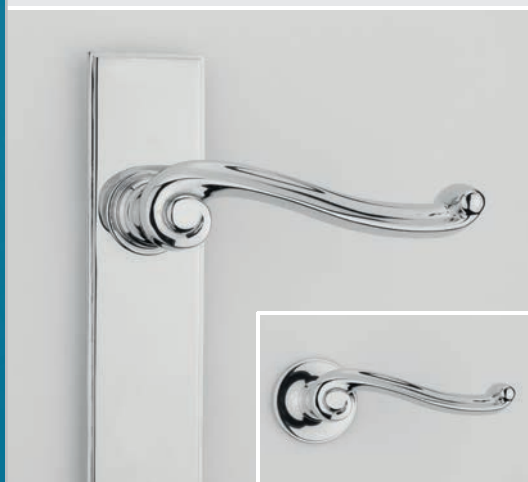
Two classic Regency Scroll Door Levers designed to work in conjunction with the Rosettes & Backplates to be found in sections ST3 & ST4.

Complementary Thumb Turns can be found in section ST7.



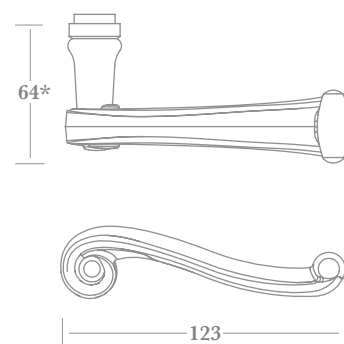
RH shown

▲ 7762



▲ shown with 5911A plate

▲ shown with 7841B rosette



* total projection: add 7mm for rosette, 6mm for backplate with flush collar & 10mm for plate with raised collar.

Fixings

Supplied with 8mm x 110mm stainless steel lockpoint spindle and M6 grubscrew (64mm max. door thickness); alternative spindle lengths and functions are available - see pages ST6:070 & 080.

Installation instructions supplied.

How to Order

Split Finish Sets - order as singles

1) select LEVER (e.g. 7767)

2) add FINISH (e.g. 7767PC).

If single lever only required add HANDING (e.g. 7767PC/RH).

For single lever as exterior pairing with a CREMONE BOLT add CM to code (e.g. 7767PC/RH/CM) - see DB3:200.

For use with Baldwin 7.2mm spindles, diamond orientation, add BWN to code (e.g. 7767PC/BWN).

Backplates and Rosettes ordered separately - see sections ST3 and ST4.

Finishes - See our price list or website for finish availability.



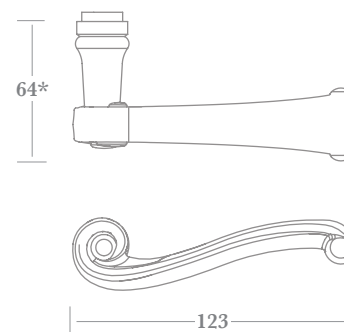
RH shown

▲ 7767



▲ shown with 6011A plate

▲ shown with 7834B rosette



* total projection: add 7mm for rosette, 6mm for backplate with flush collar & 10mm for plate with raised collar.

Door Knobs

One Art Deco and one Domed Oval Door Knob - both designed to work in conjunction with the Rosettes & Backplates to be found in sections ST3 & ST4.

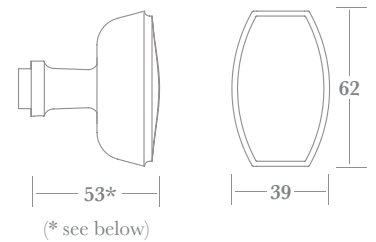
Complementary Thumb Turns can be found in section ST7, and Cabinet Knobs in section CF1.



▲ **7631**



▲ **7631** with **6600B** plate



▲ **7631** with **7826** plate

Fixings

Supplied with 8mm x 110mm stainless steel lockpoint spindle and M6 grubscrew (64mm max. door thickness); alternative spindle lengths and functions are available - see pages ST6:070 & 080.

Installation instructions supplied.

How to Order

Split Finish Sets - order as singles

1) select KNOB (e.g. **7631**)

2) add FINISH (e.g. 7631**PC**)

For HALF SET (single knob) add /H (e.g. 7631**PC/H**).

For half set (single knob) as exterior pairing with a CREMONE BOLT add CM to code (e.g. 7631**PC/CM**) - see DB3:200.

For use with Bladwin 7.2mm spindles, diamond orientation, add BWN to code (e.g. 7631**PC/BWN**).

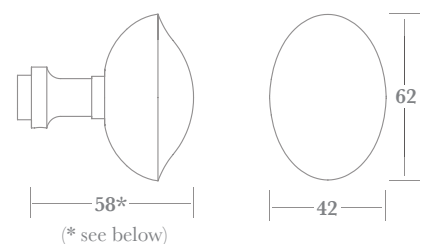
Backplates and Rosettes ordered separately - see sections ST3 and ST4.



▲ **7657**



▲ **7657** with **5951B** plate



▲ **7657** with **7827B** rosette

* total projection: add 7mm for rosette, 6mm for backplate with flush collar & 10mm for plate with raised collar.

Finishes - See our price list or website for finish availability.

Door Knobs

Two traditional period Door Knobs - both available in two sizes - designed to work in conjunction with the Rosettes & Backplates to be found in sections ST3 & ST4.

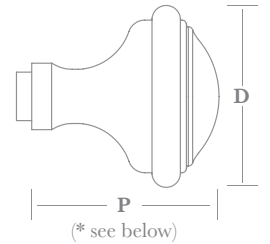
Complementary Thumb Turns can be found in section ST7, and Cabinet Knobs in section CF1.



▲ 7648



▲ 7648B with 5951B plate



▲ 7648B with 7834B rosette

Fixings

Supplied with 8mm x 110mm stainless steel lockpoint spindle and M6 grubscrew (64mm max. door thickness); alternative spindle lengths and functions are available - see pages ST6:070 & 080.

Installation instructions supplied.

How to Order

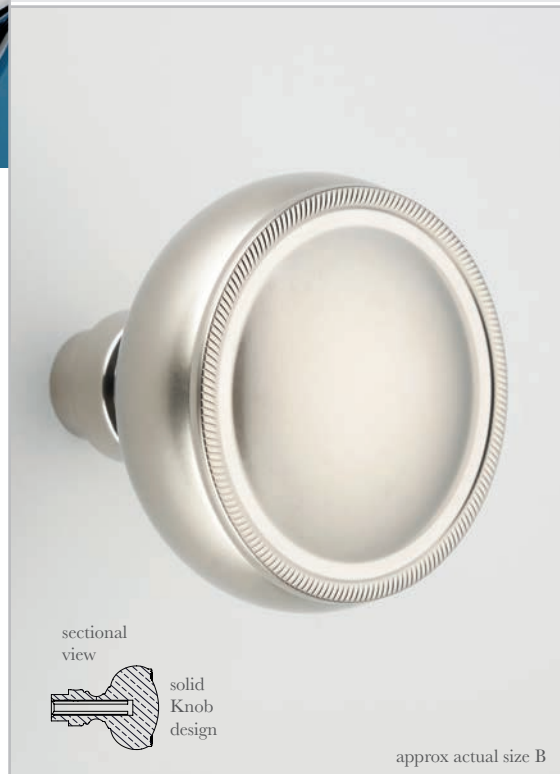
Split Finish Sets - order as singles

- 1) select KNOB (e.g. 7619)
- 2) add FINISH (e.g. 7619PC)
- 3) add SIZE (e.g. 7619PC/B)

For HALF SET (single knob) add /H (e.g. 7619PC/B/H).

For use with Baldwin 7.2mm spindles, diamond orientation, add BWN to code (e.g. 7619PC/B/BWN).

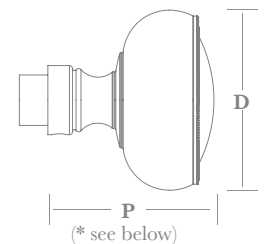
Backplates and Rosettes ordered separately - see sections ST3 and ST4.



▲ 7619



▲ 7619B with 7848B rosette



▲ 7619B with 7849B rosette

		D (diameter)	P (projection)
7648	A	Ø 54	52*
	B	Ø 60	62*
7619	A	Ø 50	47*
	B	Ø 57	52*
	C	Ø 63	57*

* total projection: add 7mm for rosette, 6mm for backplate with flush collar & 10mm for plate with raised collar.

Finishes - See our price list or website for finish availability.

Door Knobs

Two traditional period Door Knobs - both available in two sizes - designed to work in conjunction with the Rosettes & Backplates to be found in sections ST3 & ST4.

Complementary Thumb Turns can be found in section ST7, and Cabinet Knobs in section CF1.



Fixings

Supplied with 8mm x 110mm stainless steel lockpoint spindle and M6 grubscrew (64mm max. door thickness); alternative spindle lengths and functions are available - see pages ST6:070 & 080. Installation instructions supplied.

How to Order

Split Finish Sets - order as singles

- 1) select KNOB (e.g. **7636**)
- 2) add FINISH (e.g. 7636**PC**)
- 3) add SIZE (e.g. 7636**PC/B**)

For HALF SET (single knob) add /H (e.g. 7636**PC/B/H**).

For use with Baldwin 7.2mm spindles, diamond orientation, add BWN to code (e.g. 7636**PC/B/BWN**).

Backplates and Rosettes ordered separately - see sections ST3 and ST4.

Finishes - See our price list or website for finish availability.



▲ 7622



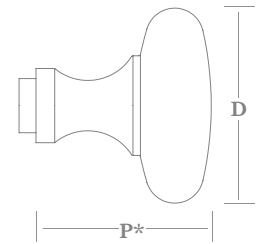
▲ 7636



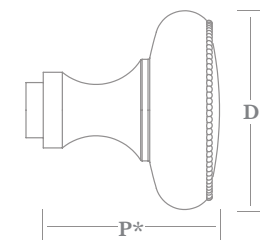
▲ 7635



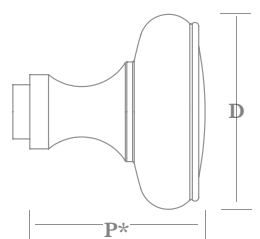
▲ 7622A with 7822B rosette



▲ 7636A with 7838B rosette



▲ 7635A with 7822B rosette



	A	B
D (diameter)	Ø 57	Ø 63
P (projection)	51*	52*

* total projection: add 7mm for rosette, 6mm for backplate with flush collar & 10mm for plate with raised collar.

Door Knobs

Two traditional period Door Knobs - both available in four sizes - designed to work in conjunction with the Rosettes & Backplates to be found in sections ST3 & ST4.

Complementary Thumb Turns can be found in section ST7, and Cabinet Knobs in section CF1.



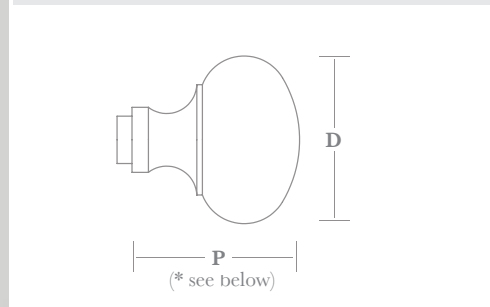
▲ 7634



▲ 7638



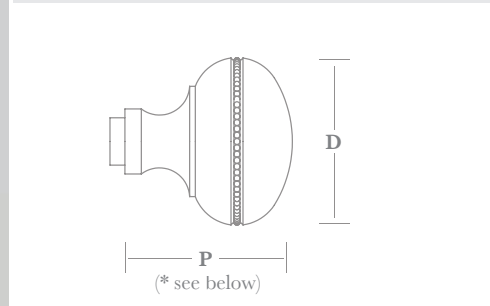
▲ 7634B with 5900B plate



▲ 7634B with 7834B rosette



▲ 7638B with 4700B plate



▲ 7638B with 7838B rosette

Fixings

Supplied with 8mm x 110mm stainless steel lockpoint spindle and M6 grubscrew (64mm max. door thickness); alternative spindle lengths and functions are available - see pages ST6:070 & 080.

Installation instructions supplied.

How to Order

Split Finish Sets - order as singles

- 1) select KNOB (e.g. 7638)
- 2) add FINISH (e.g. 7638PC)
- 3) add SIZE (e.g. 7638PC/B)

For HALF SET (single knob) add /H (e.g. 7638PC/B/H).

For use with Baldwin 7.2mm spindles, diamond orientation, add BWN to code (e.g. 7638PC/B/BWN).

Backplates and Rosettes ordered separately - see sections ST3 and ST4.

Finishes - See our price list or website for finish availability.

	AA	A	B	C
D (diameter)	Ø 44	Ø 51	Ø 57	Ø 63
P (projection)	45*	51*	56*	61*

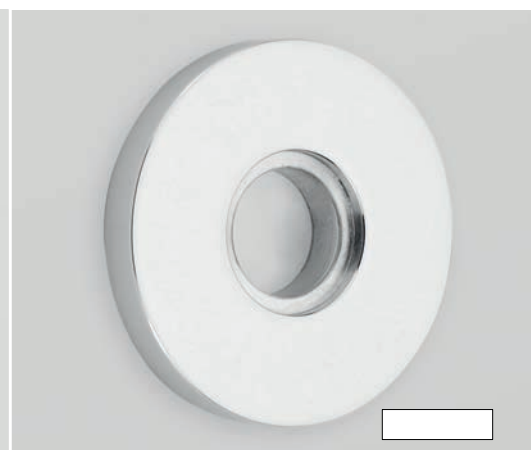
* total projection: add 7mm for rosette, 6mm for backplate with flush collar & 10mm for plate with raised collar.

Rosettes - Concealed fix

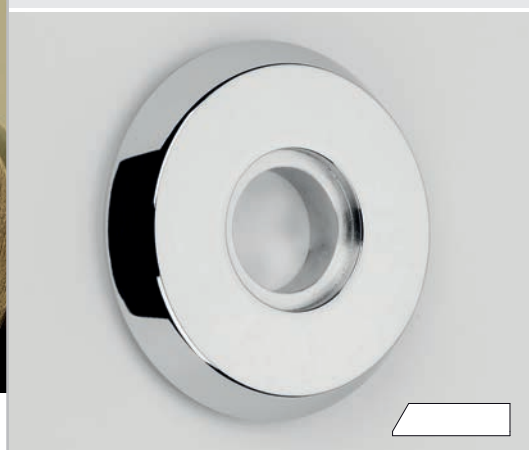
Four modern contemporary, and two traditional period, designs of concealed fix Rosettes. All are available in up to four sizes, and all are designed to work in conjunction with the Door Levers & Door Knobs to be found in sections ST1 & ST2.



▲ 7842



▲ 7843



▲ 7844



▲ 7845 (available in B, C & D size only)



▲ 7846



▲ 7847

Fixings

Supplied with subroses, no.4 x 13mm wood screws, alignment collars and installation instructions.

Fix Dead Rosettes are supplied with 7813 mounts in place of standard subroses (*).

Pair of Pre-Bore Rosettes (sizes C & D only (except 7845 - D only)) supplied with 7800 Pre-Bore Adapter in place of standard subroses (*).

(* See pages ST6:070 & 080 for details.

How to Order

Split Finish Sets - order as singles

- 1) select ROSETTE (e.g. **7846**)
- 2) add FINISH (e.g. **7846PB**)
- 3) add SIZE (**7846PB/B**).

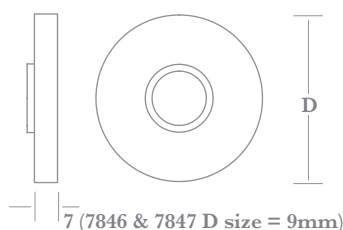
For HALF SET (single rosette) add/H (e.g. **7846PB/B/H**).

For pair of rosettes FIX DEAD add FDS (e.g. **7846PB/B/FDS**).

For single rosette FIX DEAD add FD (e.g. **7846PB/B/H/FD**).

For PRE-BORE ADAPTOR (sizes C & D only (except 7845 - D only)) add PRE (e.g. **7846PB/C/PRE**).

Finishes - See our price list or website for finish availability.



	A	B	C	D
D (dia)	Ø 44	Ø 54	Ø 64	Ø 76

Custom sizes available upon request - surcharge may apply.



Rosettes - Concealed fix

Concealed fix Rosettes, each available in four sizes; and all designed to work in conjunction with the Door Levers & Door Knobs to be found in sections ST1 & ST2.



Fixings

Supplied with subroses, no.4 x 13mm wood screws, alignment collars and installation instructions.

Fix Dead Rosettes are supplied with 7813 mounts in place of standard subroses (*).

Pair of Pre-Bore Rosettes (sizes C & D only) supplied with 7800 Pre-Bore Adapter in place of standard subroses (*).

(* See pages ST6:070 & 080 for details.

How to Order

Split Finish Sets - order as singles

- 1) select ROSETTE (e.g. **7828**)
- 2) add FINISH (e.g. **7828PB**)
- 3) add SIZE (**7828PB/B**).

For HALF SET (single rosette) add/H (e.g. **7828PB/B/H**).

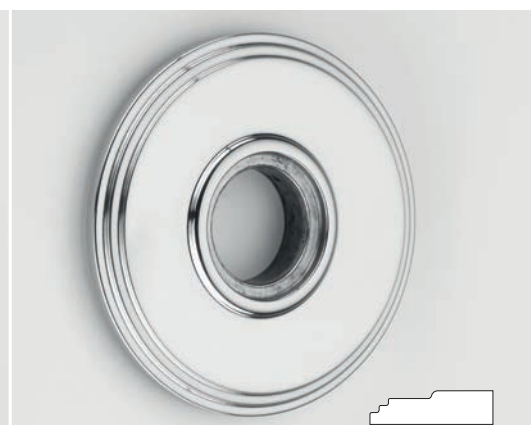
For pair of rosettes FIX DEAD add FDS (e.g. **7828PB/B/FDS**).

For single rosette FIX DEAD add FD (e.g. **7828PB/B/H/FD**).

For PRE-BORE ADAPTOR (sizes C & D only) add PRE (e.g. **7828PB/C/PRE**).



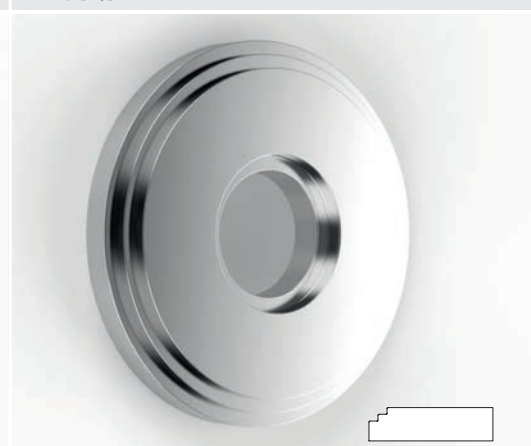
▲ 7820



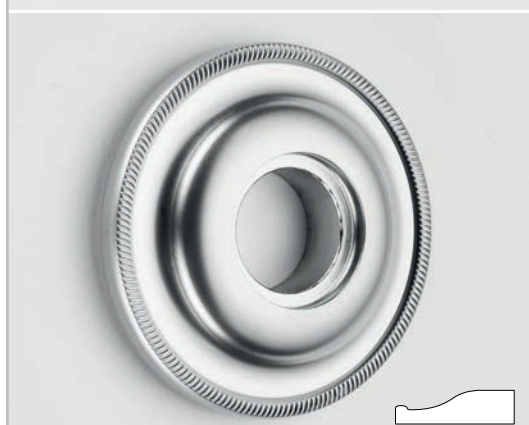
▲ 7823



▲ 7828



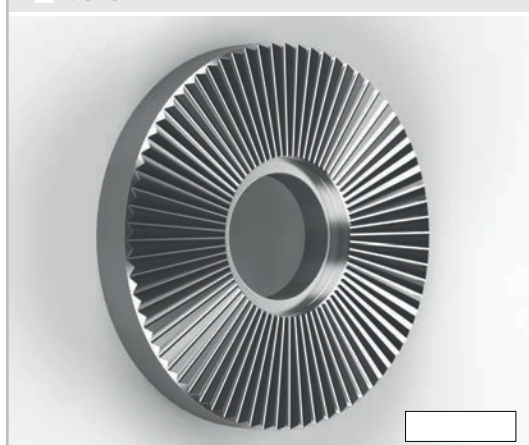
▲ 7832



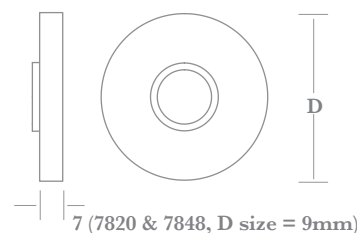
▲ 7849



▲ 7848



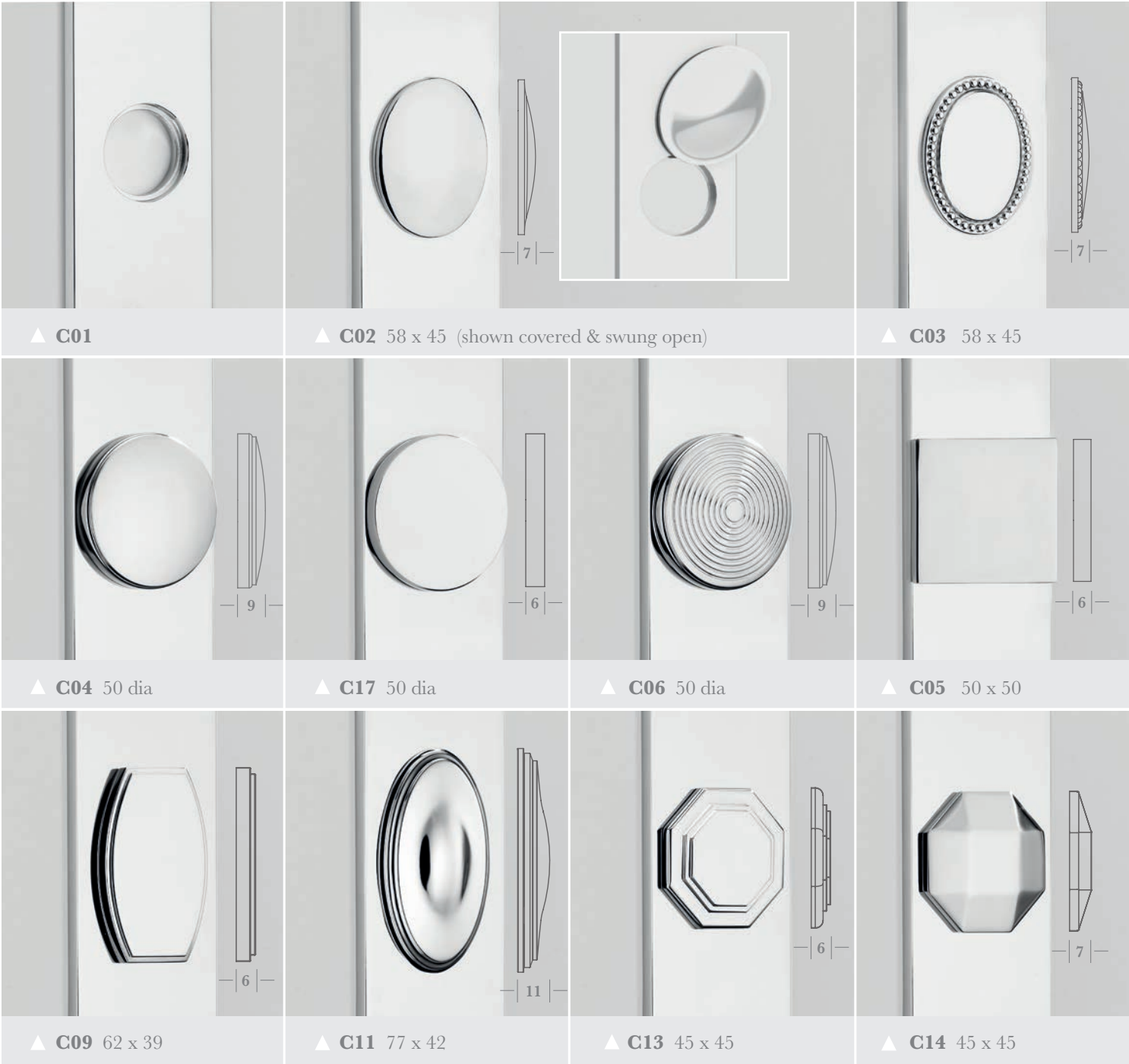
▲ 7831



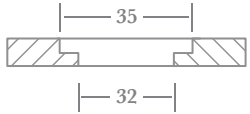
	A	B	C	D
D (dia)	Ø 44	Ø 54	Ø 64	Ø 76

Custom sizes available upon request - surcharge may apply.

US Entry Plates - Cylinder Options

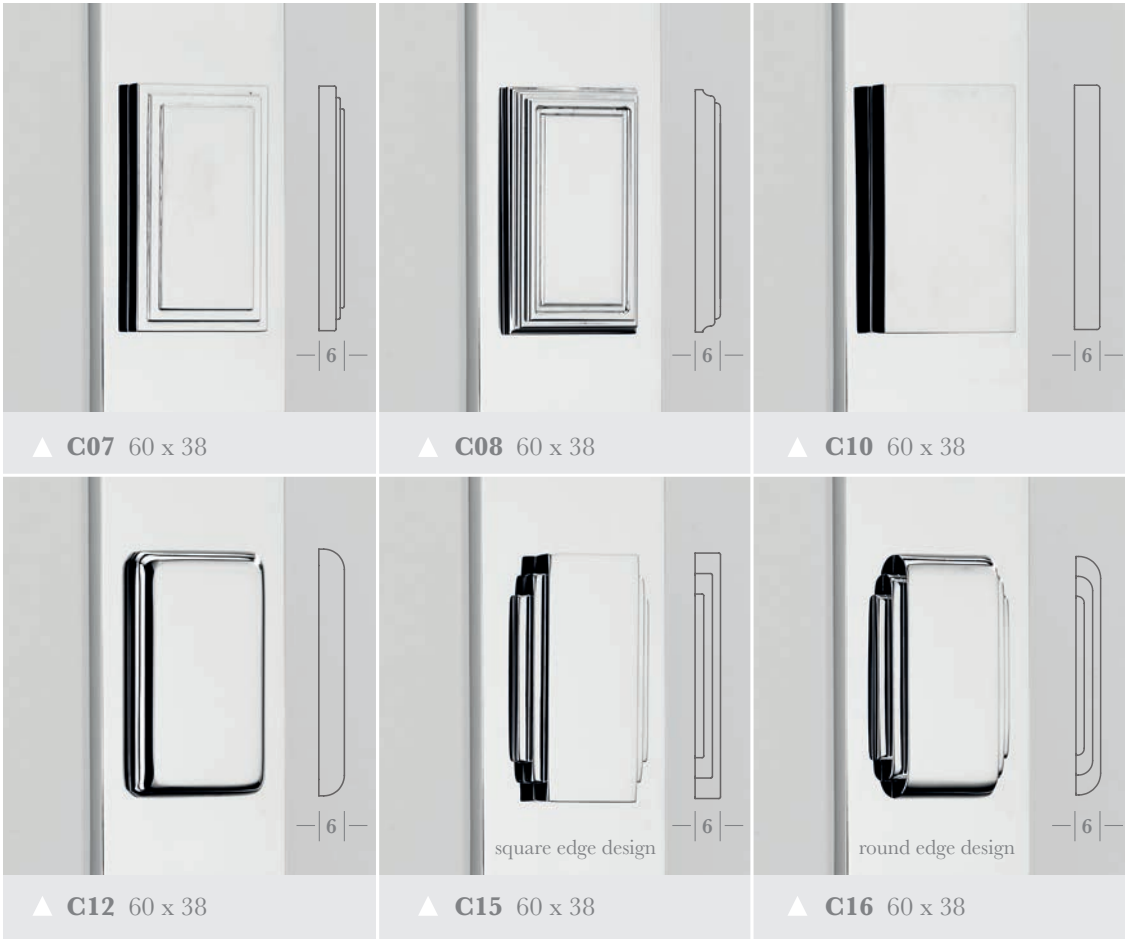


CYLINDER OPTIONS									
	32 Series	47 Series	49 Series	59 Series	60 Series	66 Series	67 Series	68 Series	87 Series
	MINIMUM PLATE WIDTH (mm)								
C01	44	44	44	44	54	44	54	54	54
C02, C03 C13, C14	54	54	54	54	64	54	64	64	54
C04, C05 C06, C17	54	64	54	64	64	64	64	64	64
C09 C11	44	44	44	44	64	54	54	54	54



Plates machined to accept US standard cylinders

US Entry Plates - Cylinder Options



CYLINDER OPTIONS									
	32 Series	47 Series	49 Series	59 Series	60 Series	66 Series	67 Series	68 Series	87 Series
	MINIMUM PLATE WIDTH (mm)								
ALL PLATE DESIGNS	44	44	44	44	64	54	54	54	54



Plates machined to accept US standard cylinders

Round Flush Pulls

A choice of nine Flush Pull designs suitable for sliding pocket doors. All are available in three diameters with three depth options. Face, Pocket or Adhesive fixed are offered with a choice of functions, whilst a Rear Bolt fixed version is available as a plain Pull only. Plain Pulls are also available in pairs back-to-back fixed (see DF4:002).

7255B/9MM/AF/PN



7255B/11MM/PF shown



7255B/11MM/FF shown



7255B/11MM/AF shown

PF pocket fixed
(available 11 & 14mm depths only)

▲ **FF** face fixed
(available in all depths)

▲ **AF** adhesive fixed
(available in all depths)
BF rear bolt fixed
(available in all depths)



Pocket fixed countersunk screw holes set at slight angle to facilitate screwdriver access



Overall Depth	9*	11	14
Code	9MM	11MM	14MM

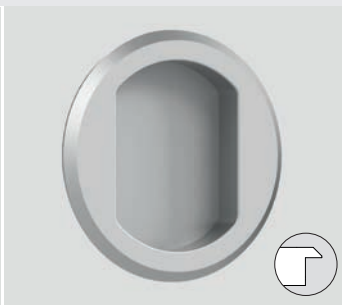
* pocket fixing not available 9mm deep

FUNCTION OPTIONS
See page DF4:002

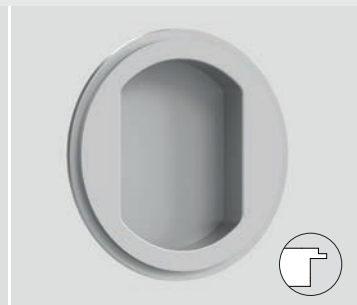
Computer generated images (B size shown, 11mm depth, adhesive fix)



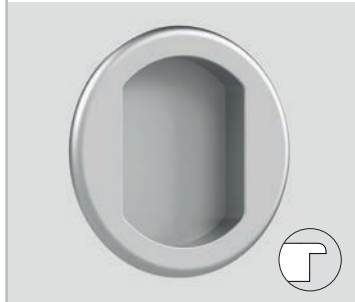
▲ 7250



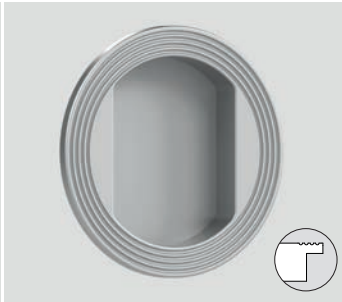
▲ 7251



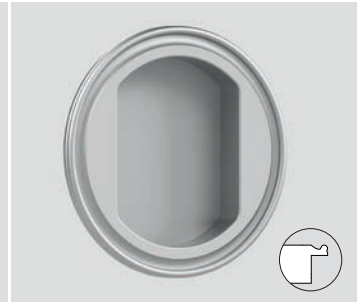
▲ 7252



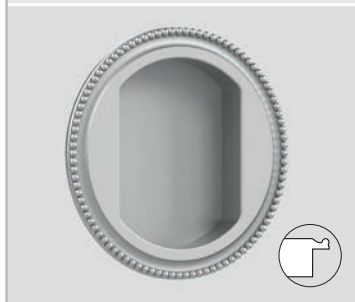
▲ 7253



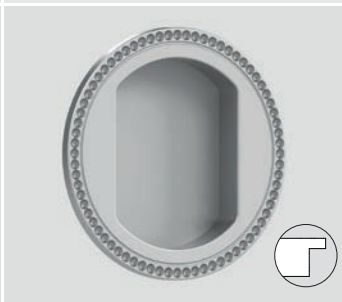
▲ 7254



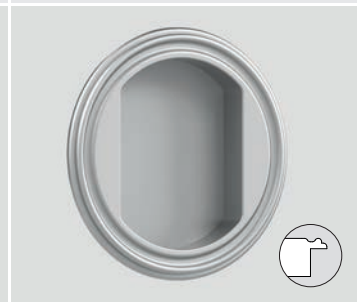
▲ 7255



▲ 7256 (raised bead design)



▲ 7257 (dimpled design)



▲ 7258

Fixings

Face fixed & Pocket fixed versions supplied with finish matched no.6 x 19mm wood screws.

Rear Bolt fixed version supplied with M4 x 50mm break-off flange head machine screws.

Swing Cover Release versions supplied with nickel plated key.

How to Order

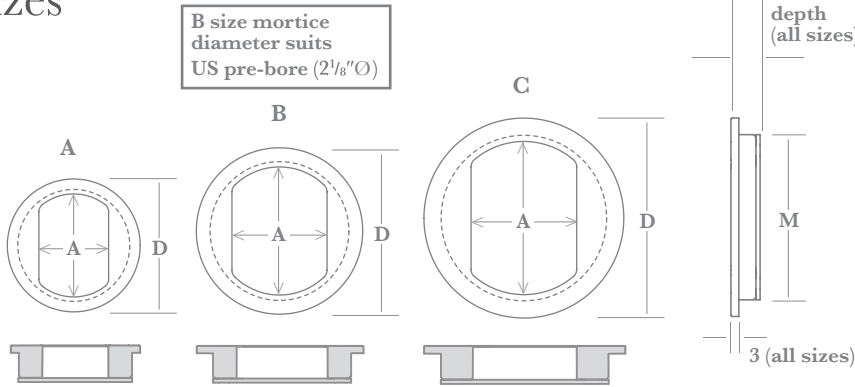
Refer to page DF4:002 for size & function codes:

- 1) select DESIGN (e.g. 7254)
- 2) add SIZE (e.g. 7254B)
- 3) choose DEPTH OPTION (e.g. 7254B/11MM).
- 4) choose FIXING METHOD (e.g. 7254B/11MM/PF)
- 5) add FINISH (e.g. 7254B/11MM/PF/PC)
- 6) add FUNCTION if required (e.g. 7254B/11MM/PF/PC/SR).

Finishes - See our price list or website for finish availability.

Round Flush Pulls

Sizes



Overall Depth	9†	11	14
Code	9MM	11MM	14MM

† pocket fixing not available 9mm deep

	A*	B	C
Diameter (D)	Ø 50	Ø 63	Ø 76
Aperture (A)	38 x 25	47 x 35	57 x 39
Mortice Size (M)	Ø 45	Ø 55	Ø 64

* not available with turn or release functions

Keyhole & Privacy Functions (B size shown)

▲ **KH** Keyhole

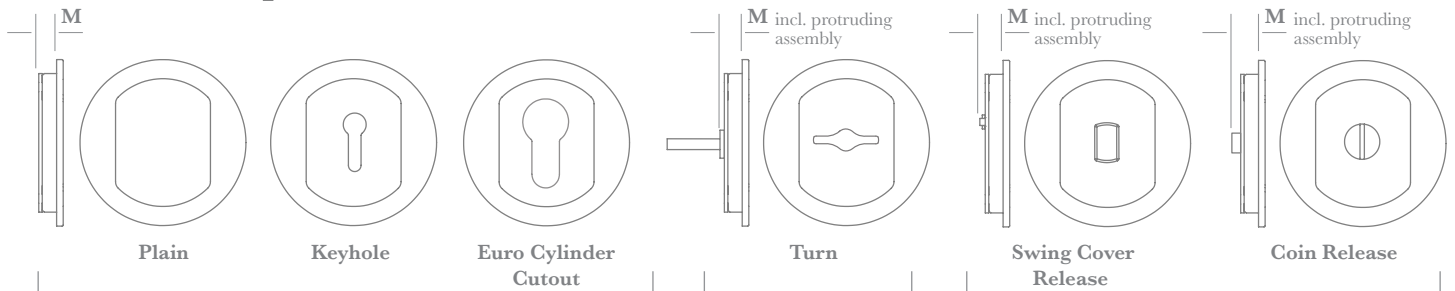
▲ **EC** Euro Cylinder Cutout

▲ **TS** Turn (Square Spindle orientation)
▲ **TD** Turn (Diamond Spindle orientation) (not available A size)

▲ **SR** Swing Cover Release (not available A size)

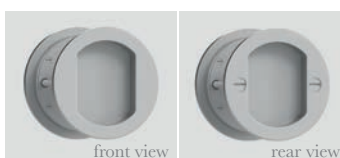
▲ **CR** Coin Release (not available A size)

Mortice Depths (C size shown)



M Mortice Depths								
Plain Keyhole Euro Cylinder Cutout			Turn NB. Mortice depths shown below include the extra 2mm required to accommodate the turn assembly.			Swing Cover Release Coin Release NB. Mortice depths shown below include the extra 2.5mm required to accommodate the swing cover assembly and coin release.		
9MM	11MM	14MM	9MM	11MM	14MM	9MM	11MM	14MM
6	8	11	8	10	13	8.5	10.5	13.5

Back-to-Back Fixing



Plain (non-functioning) Pulls are available as pairs back-to-back fixed. Please contact us for coding information.

Round Flush Pulls - Lipped Design

A choice of nine Lipped Flush Pull designs suitable for both hinged doors and sliding drawers. All are available in three diameters with three depth options. Face, Pocket or Adhesive fixed are offered with a choice of functions, whilst a Rear Bolt fixed version is available as a plain pull only. Plain Pulls are also available in pairs back-to-back fixed (see DF4:004).



7278B/17MM/PF/PN



▲ **PF** pocket fixed

▲ **FF** face fixed
(available in all depths)

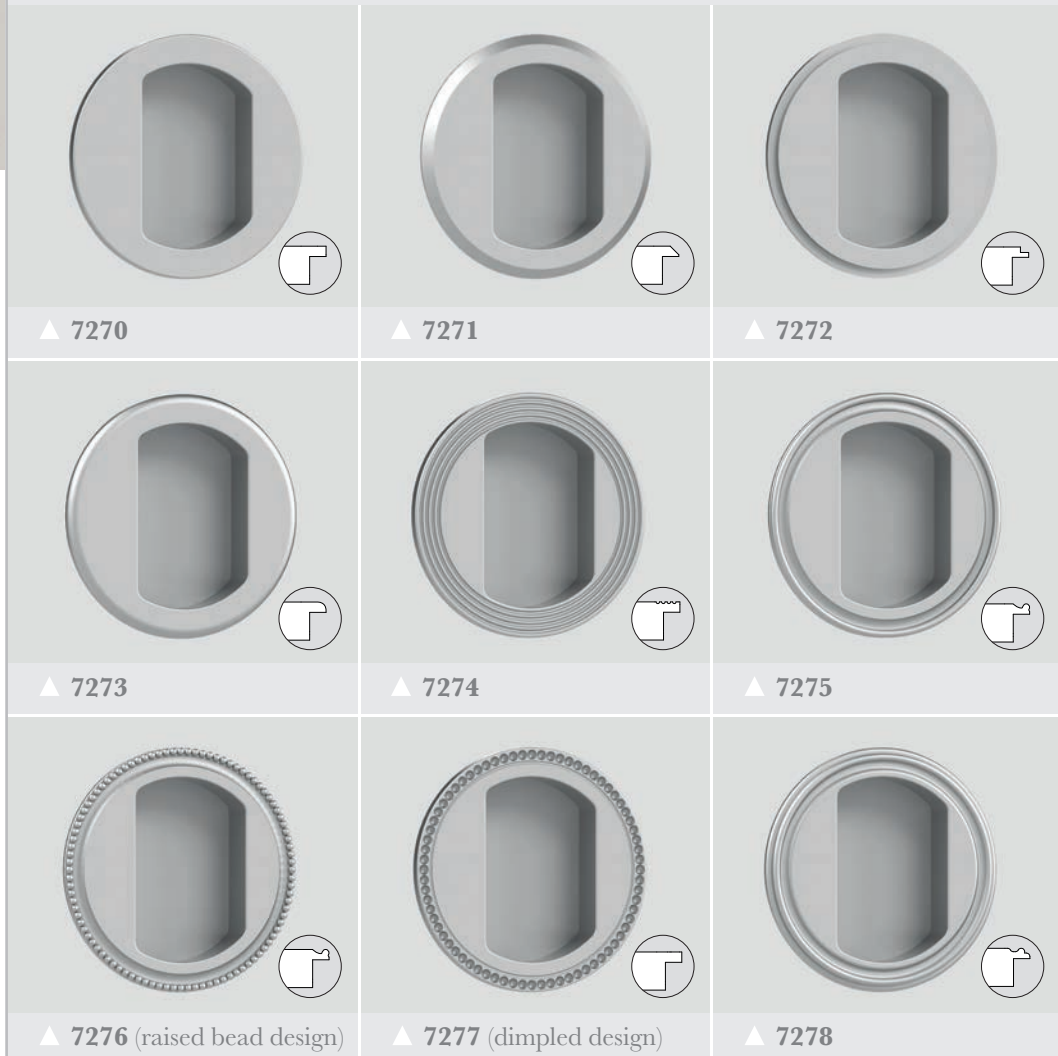
▲ **AF** adhesive fixed
(available in all depths)
BF rear bolt fixed
(available in all depths)



Overall Depth	14	17	21
Code	14MM	17MM	21MM



Computer generated images (B size shown, 14mm depth, adhesive fix)



Fixings

Face fixed versions supplied with finish matched wood screws:
17mm & 21mm depth: no.6 x 32mm;
14mm no. 6 x 25mm.

Pocket fixed versions supplied with finish matched no.6 x 19mm wood screws.

Rear Bolt fixed version supplied with M4 x 50mm break-off flange head machine screws.

Swing Cover Release versions supplied with nickel plated key.

How to Order

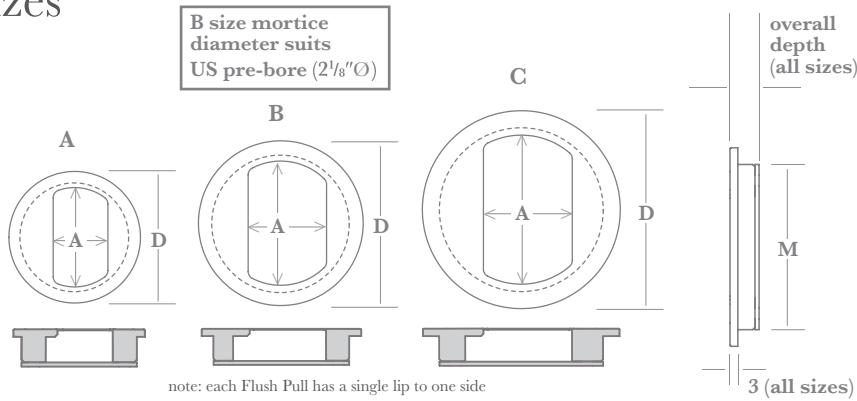
Refer to page DF4:004 for size & function codes:

- 1) select DESIGN (e.g. 7274)
- 2) add SIZE (e.g. 7274A)
- 3) choose DEPTH OPTION (e.g. 7274A/17MM)
- 4) choose FIXING METHOD (e.g. 7274A/17MM/PF)
- 5) add FINISH (e.g. 7274A/17MM/PF/PC).
- 6) add FUNCTION if required (e.g. 7274A/17MM/PF/PC/KHL).

Finishes - See our price list or website for finish availability.

Round Flush Pulls - Lipped Design

Sizes



Overall Depth	14	17	21
Code	14MM	17MM	21MM

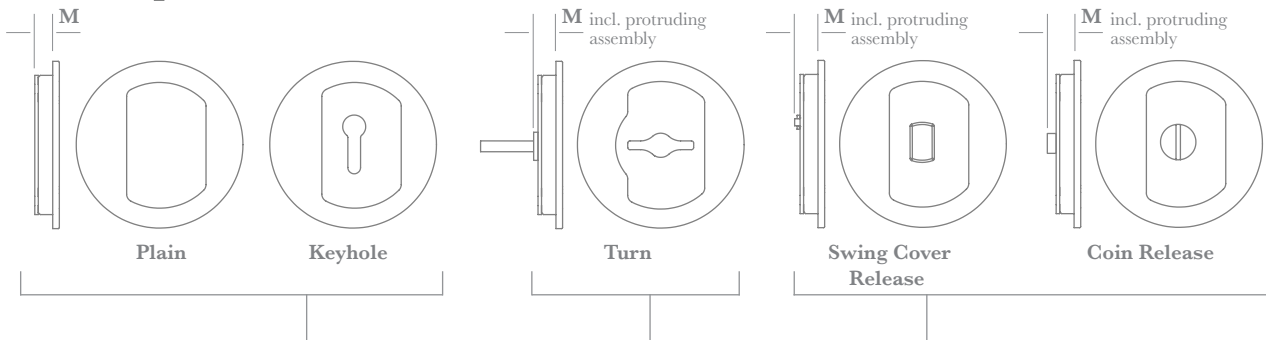
	A*	B*	C
Diameter (D)	Ø 50	Ø 63	Ø 76
Aperture (A)	38 x 21	47 x 30	57 x 34
Mortice Size (M)	Ø 45	Ø 55	Ø 64

* not available with turn or release functions (these functions are only available on size C)

Keyhole & Privacy Functions (C size shown)

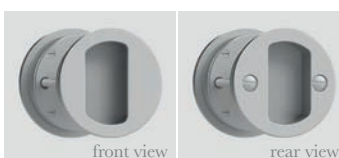
RH shown			release key supplied RH shown	
▲ Keyhole KHL (LH Pull) KHR (RH Pull)	▲ Turn (available C size only) TS (Square Spindle orientation) TD (Diamond Spindle orientation)		▲ Swing Cover Release (available C size only) SRL (LH Pull) SRR (RH Pull)	▲ CR Coin Release (available C size only)

Mortice Depths (C size shown)



M Mortice Depths								
Plain Keyhole			Turn NB. Mortice depths shown below include the extra 2mm required to accommodate the turn assembly.			Swing Cover Release Coin Release NB. Mortice depths shown below include the extra 2.5mm required to accommodate the swing cover assembly and coin release.		
14MM	17MM	21MM	14MM	17MM	21MM	14MM	17MM	21MM
11	14	18	13	16	20	13.5	16.5	20.5

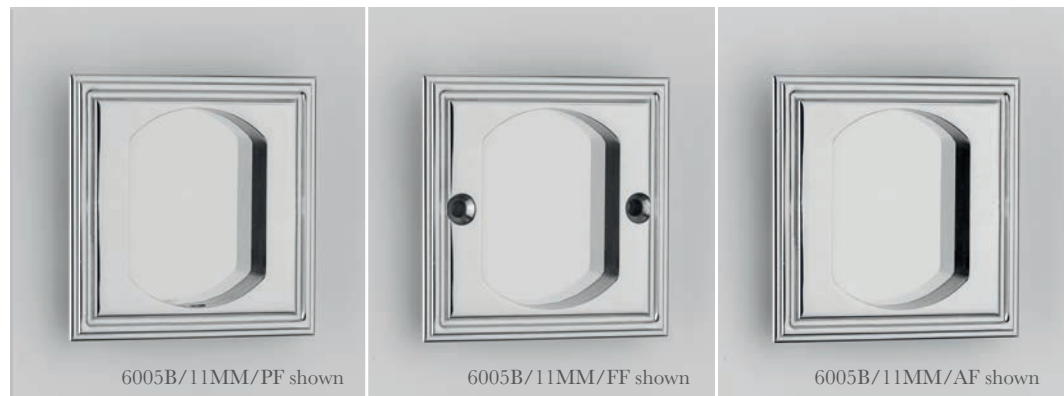
Back-to-Back Fixing



Plain (non-functioning) Pulls are available as pairs back-to-back fixed. Please contact us for coding information.

Square Flush Pulls

A choice of nine Flush Pull designs suitable for sliding pocket doors. All are available in three sizes with three depth options. Face, Pocket or Adhesive fixed are offered with a choice of functions, whilst a Rear Bolt fixed version is available as a plain pull only. Plain Pulls are also available in pairs back-to-back fixed (see DF4:006).

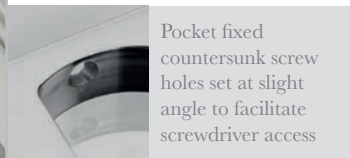


▲ **PF** pocket fixed
(available 11 & 14mm depths only)

▲ **FF** face fixed
(available in all depths)

▲ **AF** adhesive fixed
(available in all depths)
BF rear bolt fixed
(available in all depths)

6005B/11MM/FF/PN/SR



Overall Depth	9*	11	14
Code	9MM	11MM	14MM

* pocket fixing not available 9mm deep



Computer generated images (B size shown, 11mm depth, adhesive fix)



▲ 3205

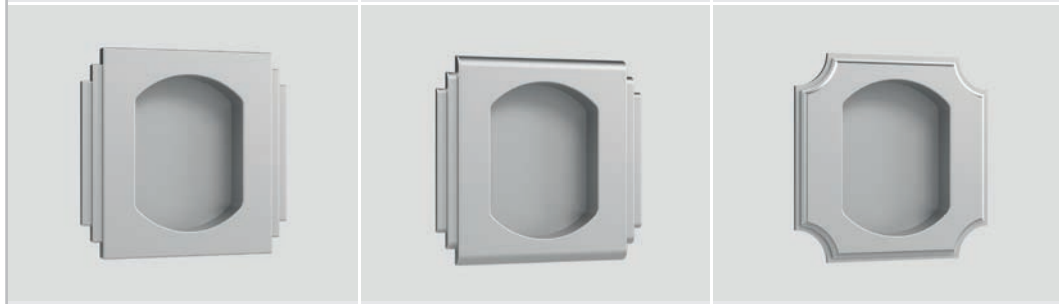
▲ 4705

▲ 4905

▲ 5905

▲ 6005

▲ 6605



▲ 6705 (square edge design)

▲ 6805 (round edge design)

▲ 8705

Fixings

Face fixed & Pocket fixed versions supplied with finish matched no.6 x 19mm wood screws.

Rear Bolt fixed version supplied with M4 x 50mm break-off flange head machine screws.

Swing Cover Release versions supplied with nickel plated key.

How to Order

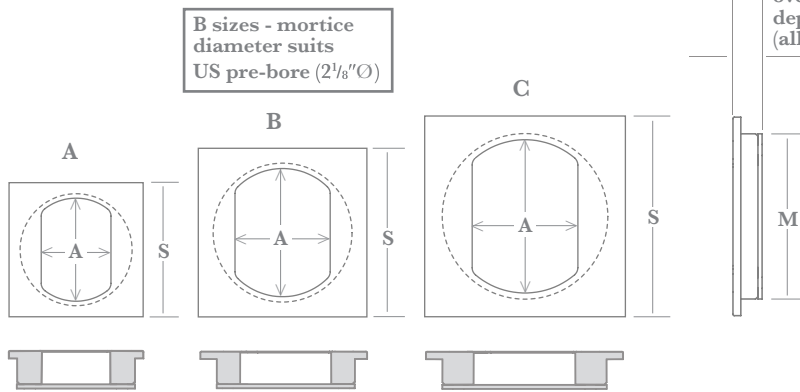
Refer to page DF4:006 for size & function codes:

- 1) select DESIGN (e.g. 5905)
- 2) add SIZE (e.g. 5905B)
- 3) choose DEPTH OPTION (e.g. 5905B/11MM)
- 4) choose FIXING METHOD (e.g. 5905B/11MM/PF)
- 5) choose FINISH (e.g. 5905B/11MM/PF/PC)
- 6) add FUNCTION if required (e.g. 5905B/11MM/PF/PC/SR).

Finishes - See our price list or website for finish availability.

Square Flush Pulls - sizes, functions & mortise depths

Sizes



Overall Depth	9†	11	14
Code	9MM	11MM	14MM

† pocket fixing not available 9mm deep

	A*	B	C
Size (S)	50	63	76
3205 (H x W)	68 x 50	81 x 63	94 x 76
6705/6805 (H x W)	50 x 54	63 x 67	76 x 76
Aperture (A)	38 x 25	47 x 35	57 x 39
Mortise Size (M)	Ø 45	Ø 55	Ø 64

* not available with turn or release functions

Keyhole & Privacy Functions (B size shown)

▲ **KH** Keyhole

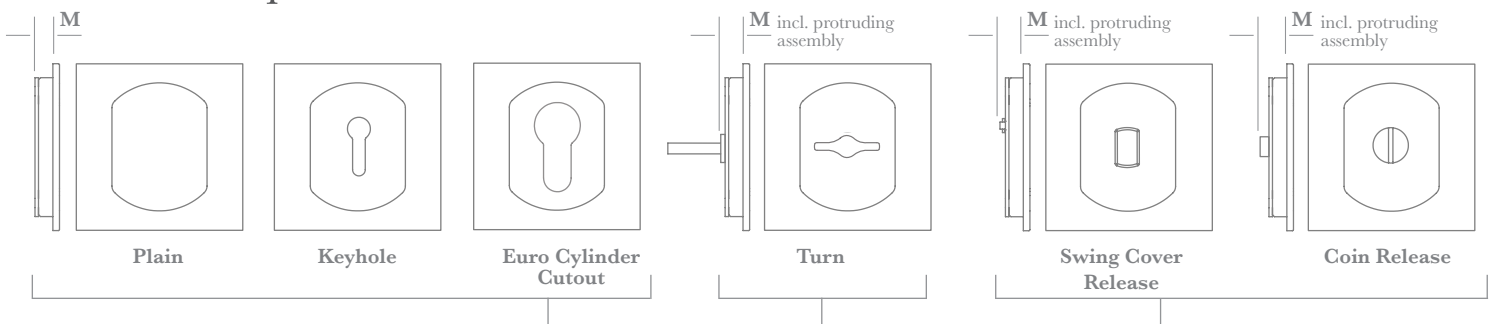
▲ **EC** Euro Cylinder Cutout

▲ **TS** Turn (Square Spindle orientation)
TD Turn (Diamond Spindle orientation) (not available A size)

▲ **SR** Swing Cover Release (not available A size)

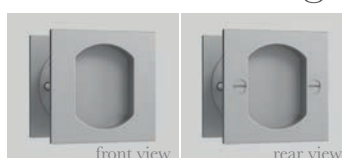
▲ **CR** Coin Release (not available A size)

Mortise Depths & Face Plate Thicknesses



Face Plate Thickness	M Mortise Depths								
	Plain Keyhole Euro Cylinder Cutout			Turn NB. Mortise depths shown below include the extra 2mm required to accommodate the turn assembly.			Swing Cover Release Coin Release NB. Mortise depths shown below include the extra 2.5mm required to accommodate the swing cover assembly and coin release.		
PLATE DESIGNS	9MM	11MM	14MM	9MM	11MM	14MM	9MM	11MM	14MM
32--, 67--, 68--, 87--	5	7	10	7	9	12	7.5	9.5	12.5
47--, 49--, 59--, 60--, 66--	6	8	11	8	10	13	8.5	10.5	13.5

Back-to-Back Fixing



Plain (non-functioning) Pulls are available as pairs back-to-back fixed. Please contact us for coding information.

Square Flush Pulls - Lipped Design

A choice of nine Lipped Flush Pull designs suitable for both hinged doors and sliding drawers. All are available in three sizes with three depth options. Face, Pocket or Adhesive fixed are offered with a choice of functions, whilst a Rear Bolt fixed version is available as a plain pull only. Plain Pulls are also available in pairs back-to-back fixed (see DF4:008). Custom sizes are available upon request - surcharge may apply.

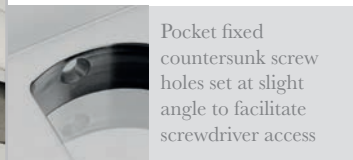


PF pocket fixed

▲ **FF** face fixed
(available in all depths)

▲ **AF** adhesive fixed
(available in all depths)
BF rear bolt fixed
(available in all depths)

5906B/14MM/PF/PN



Overall Depth	14	17	21
Code	14MM	17MM	21MM



Computer generated images (B size shown, 11mm depth, adhesive fix)



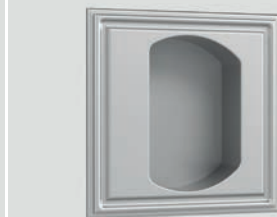
▲ 3206

▲ 4706

▲ 4906



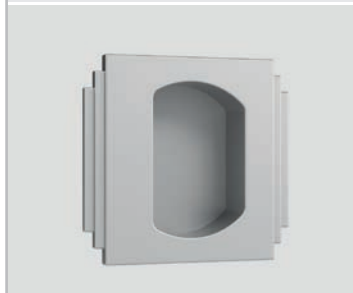
▲ 5906



▲ 6006



▲ 6606



▲ 6706



▲ 6806



▲ 8706

Fixings

Face fixed versions supplied with finish matched wood screws:
17mm & 21mm depth: no.6 x 32mm;
14mm no. 6 x 25mm.

Pocket fixed versions supplied with finish matched no.6 x 19mm wood screws.

Rear Bolt fixed version supplied with M4 x 50mm break-off flange head machine screws.

Swing Cover Release versions supplied with nickel plated key.

How to Order

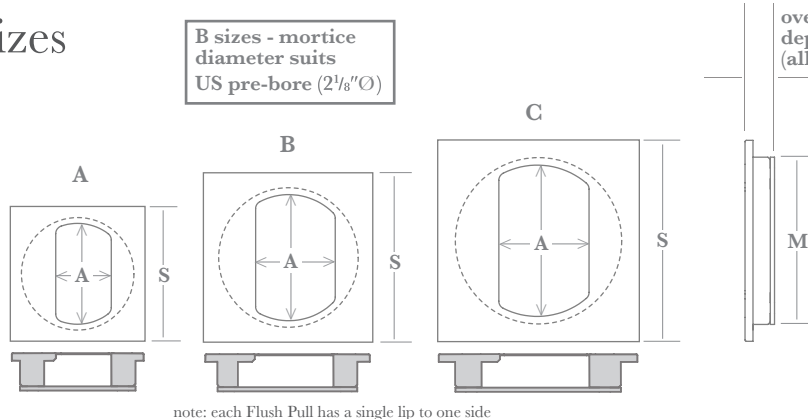
Refer to page DF4:008 for size & function codes:

- 1) select DESIGN (e.g. 3206)
- 2) add SIZE (e.g. 3206C)
- 3) choose DEPTH OPTION (e.g. 3206C/17MM).
- 4) choose FIXING METHOD (e.g. 3206C/17MM/PF)
- 5) add FINISH (e.g. 3206C/17MM/PF/PC)
- 6) add FUNCTION if required (e.g. 3206C/17MM/PF/PC/SRL).

Finishes - See our price list or website for finish availability.

Square Flush Pulls - Lipped Design

Sizes



B sizes - mortise diameter suits US pre-bore (2 1/8" Ø)

overall depth (all sizes)

Overall Depth	14	17	21
Code	14MM	17MM	21MM

	A*	B*	C
Size (S)	50	63	76
3206 (H x W)	68 x 50	81 x 63	94 x 76
6706/6806 (H x W)	50 x 54	63 x 67	76 x 76
Aperture (A)	38 x 21	47 x 30	57 x 34
Mortise Size (M)	Ø 45	Ø 55	Ø 64

* not available with turn or release functions (these functions are only available on size C)

Keyhole & Privacy Functions

▲ Keyhole
KHL (LH Pull)
KHR (RH Pull)

▲ Turn (available C size only)
TS (Square Spindle orientation)
TD (Diamond Spindle orientation)

▲ Swing Cover Release (available C size only)
SRL (LH Pull)
SRR (RH Pull)

▲ CR Coin Release (available C size only)

Mortise Depths & Face Plate Thicknesses

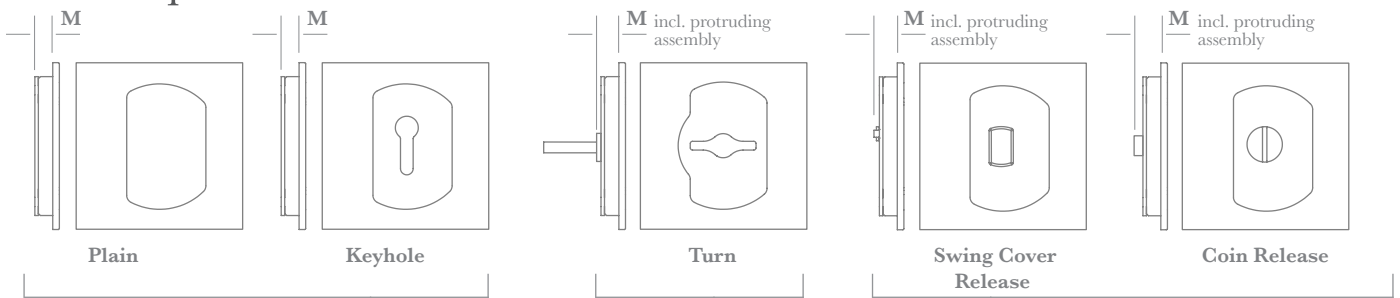


PLATE DESIGNS	Face Plate Thickness (T)	M Mortise Depths								
		Plain Keyhole			Turn NB. Mortise depths shown below include the extra 2mm required to accommodate the turn assembly.			Swing Cover Release Coin Release NB. Mortise depths shown below include the extra 2.5mm required to accommodate the swing cover assembly and coin release.		
		14MM	17MM	21MM	14MM	17MM	21MM	14MM	17MM	21MM
32--, 67--, 68--, 87--	4	10	13	17	12	15	19	12.5	15.5	19.5
47--, 49--, 59--, 60--, 66--	3	11	14	18	13	16	20	13.5	16.5	20.5

Back-to-Back Fixing

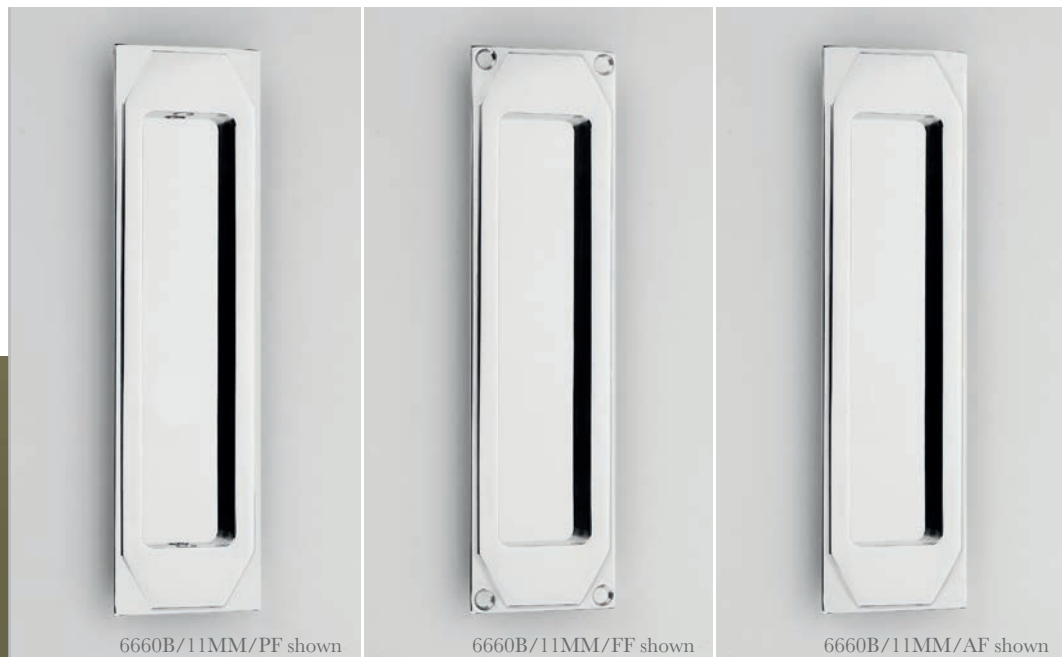


Plain (non-functioning) Pulls are available as pairs back-to-back fixed. Please contact us for coding information.

Flush Pulls - Plain

A choice of nine Flush Pull designs, all available in 14 sizes with three depth options, and either Face, Pocket or Adhesive fixed - all offered with a choice of functions. Please note: Adhesive fix is not recommended for the Turn option. Custom sizes are available upon request - surcharge may apply.

6860A/11MM/AF/IBU



6660B/11MM/PF shown

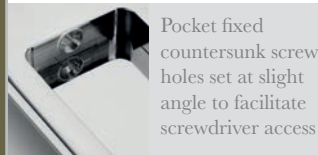
6660B/11MM/FF shown

6660B/11MM/AF shown

▲ **PF** pocket fixed
(available 11 & 14mm depths only)

▲ **FF** face fixed (not available on sizes SQA, SQB, SQC)

▲ **AF** adhesive fixed



Pocket fixed countersunk screw holes set at slight angle to facilitate screwdriver access



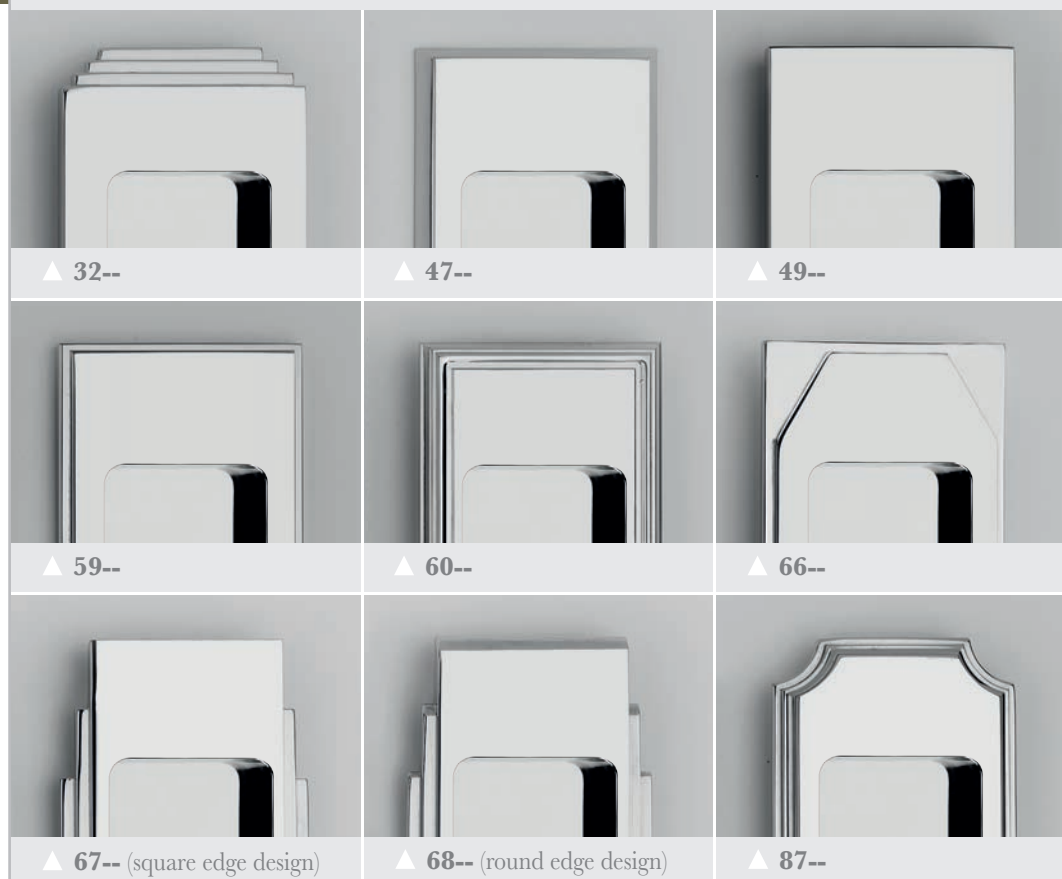
Overall Depth	9*	11	14
Code	9MM	11MM	14MM

* pocket fixing not available 9mm deep



FUNCTION OPTIONS -
see pages
DF4:030 & 040

FACE PLATE DESIGNS (51mm width shown)



▲ 32--

▲ 47--

▲ 49--

▲ 59--

▲ 60--

▲ 66--

▲ 67-- (square edge design)

▲ 68-- (round edge design)

▲ 87--

Fixings

Face fixed & Pocket fixed versions supplied with finish matched no.6 x 19mm wood screws.

Swing Cover Release versions supplied with nickel plated key.

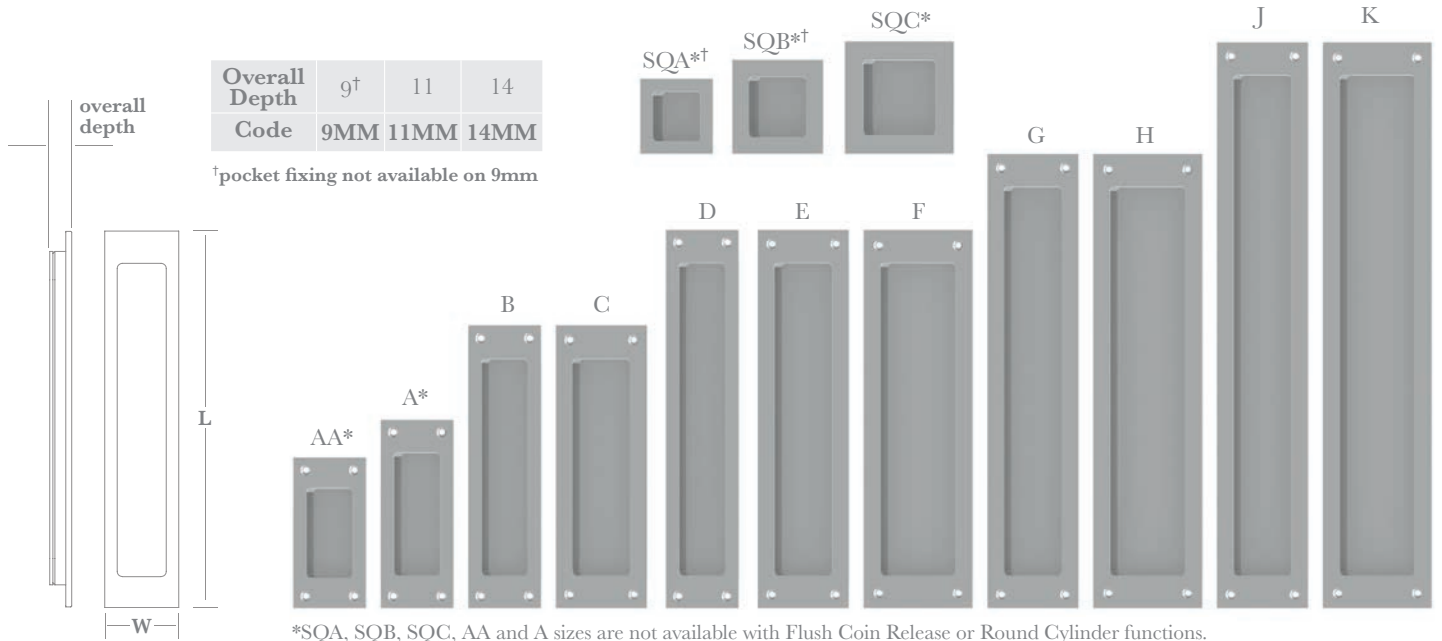
How to Order

Refer to page DF4:020 for size codes:

- 1) select PLATE DESIGN (e.g. 66--)
- 2) add 60 for PLAIN version (e.g. 6660)
- 3) add SIZE (e.g. 6660B)
- 4) choose DEPTH OPTION (e.g. 6660B/11MM).
- 5) choose FIXING METHOD (e.g. 6660B/11MM/PF)
- 6) add FINISH (e.g. 6660B/11MM/PF/PC).

Finishes - See our price list or website for finish availability.

Flush Pulls - size options & dimensions



*SQA, SQB, SQC, AA and A sizes are not available with Flush Coin Release or Round Cylinder functions.

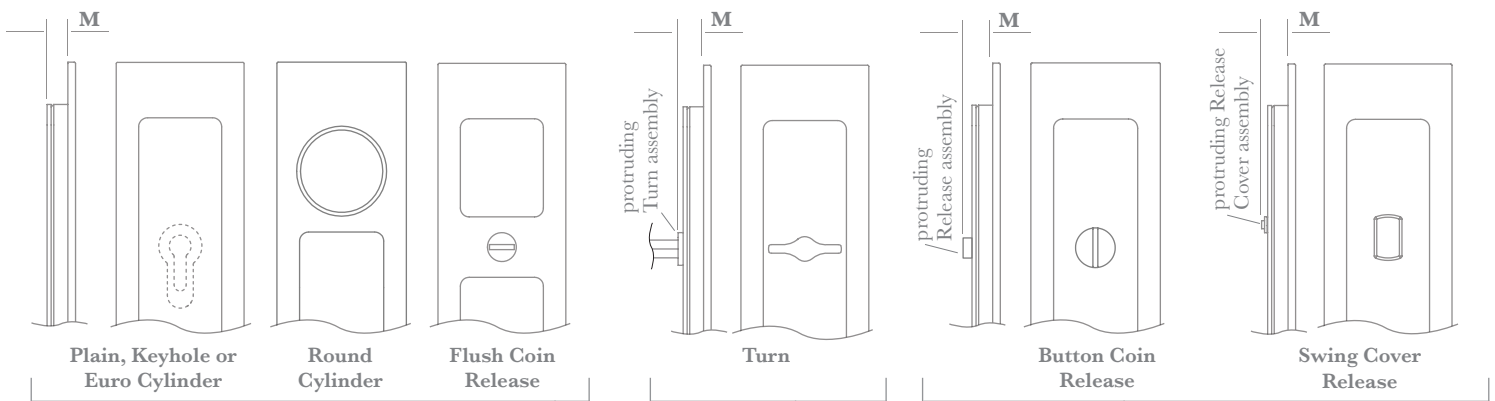
[†]SQA and SQB are also not available with Swing Cover Release function.

	SQA	SQB	SQC	AA	A	B	C	D	E	F	G	H	J	K
Size (L x W)	51 x 51	64 x 64	76 x 76	102 x 51	127 x 51	190 x 51	190 x 64	254 x 51	254 x 64	254 x 76	305 x 64	305 x 76	380 x 64	380 x 76
Overall Aperture Size [∅] (L x W)	33 x 33	40 x 40	50 x 50	60 x 32	82 x 32	145 x 32	145 x 40	209 x 32	209 x 40	209 x 52	260 x 40	260 x 52	335 x 40	335 x 52
Mortise Size (L x W)	43 x 39	50 x 50	60 x 63	70 x 39	95 x 39	158 x 41	158 x 55	222 x 41	222 x 55	222 x 67	273 x 55	273 x 67	348 x 55	348 x 67
32 Series Design Size (L x W)	69 x 51	82 x 64	94 x 76											

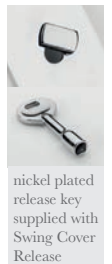
Custom sizes are available upon request - surcharge may apply.

([∅]except Pulls with Round Cylinder Hole Sizes B & C)







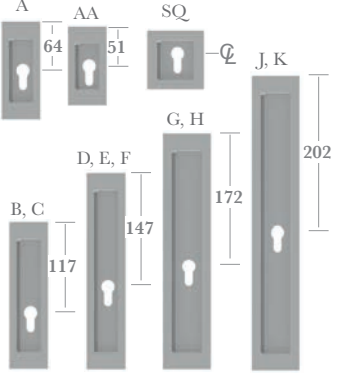
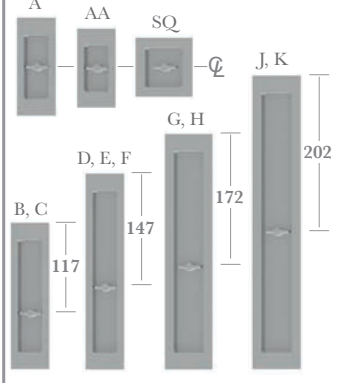
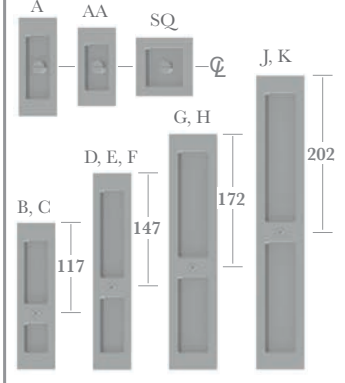
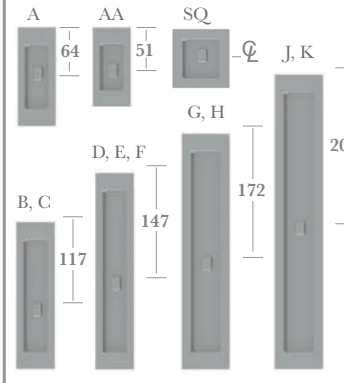
Functions, Mortise Depths & Face Plate Thicknesses



Face Plate Thickness	M Mortise Depths									
	Plain Cylinder Coin Release Keyhole Euro Cylinder Cutout				Turn NB. Mortise depths shown below include the extra 2mm required to accommodate the turn assembly.			Swing Cover Release NB. Mortise depths shown below include the extra 2.5mm required to accommodate the swing cover assembly.		
	9MM	11MM	14MM	9MM	11MM	14MM	9MM	11MM	14MM	
32--, 67--, 68--, 87--	4	5	7	10	7	9	12	7.5	9.5	12.5
47--, 49--, 59--, 60--, 66--	3	6	8	11	8	10	13	8.5	10.5	13.5



Flush Pulls - Keyhole, Euro & Privacy Functions

Lock Functions	Privacy Functions - Shown set up to work with 7560 type lock (see below)			
 <p>▲ Euro Cylinder Cutout</p>	 <p>6658B/11MM/PF shown</p>	 <p>6655B/11MM/PF shown</p>	 <p>6640B/11MM/PF shown</p>	 <p>6659B/11MM/PF shown</p>
 <p>▲ Standard Keyhole</p>				
 <p>▲ --09 Pull with Euro Cylinder Cutout --10 Pull with Keyhole</p>	 <p>▲ Pull with Turn --08 (square spindle orientation) --58 (diamond spindle orientation)</p>	 <p>▲ --55 Pull with Flush Coin Release --40 Pull with Button Coin Release</p>	 <p>▲ --59 Pull with Swing Cover Release</p>	

Fixings

Supplied with finish matched no.6 x 19mm wood screws. Flush Pulls with Turns are supplied with factory fitted 5mm spindles suitable for doors up to 45mm thick if the face plate is surface mounted (or 51mm thick if flush fitted). Longer spindles are available upon request for doors up to 80mm thick.

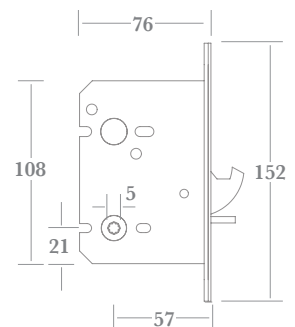
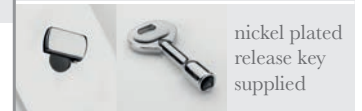
How to Order

Refer to pages DF4:010 & 020 for size & design options:

- 1) select PLATE DESIGN (e.g. 66--)
- 2) add FUNCTION (e.g. 6658)
- 3) add SIZE (e.g. 6658F).
- 4) choose DEPTH OPTION (e.g. 6658F/11MM)
- 5) choose FIXING METHOD (e.g. 6658F/11MM/FF)
- 6) add FINISH (e.g. 6658F/11MM/FF/PC)

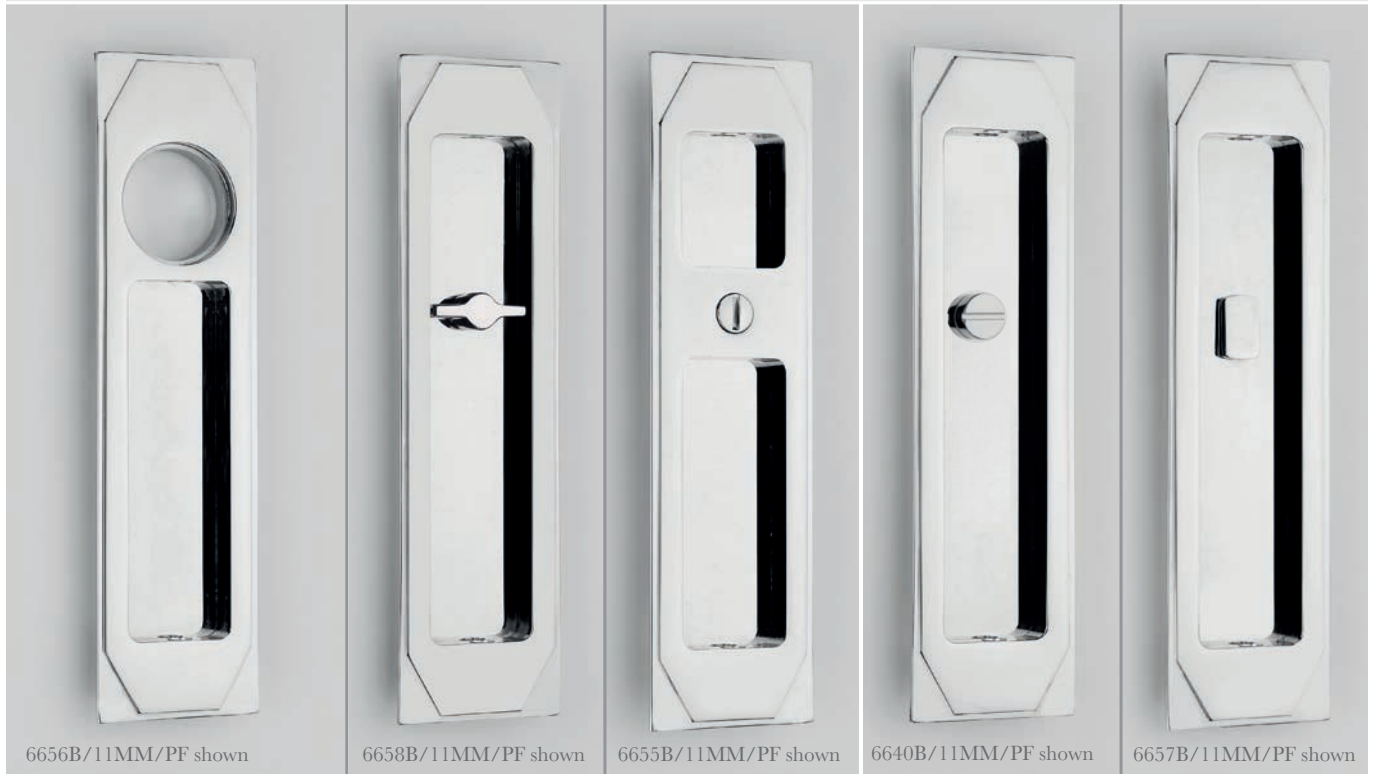
NB. Custom sizes, and custom Turn/Release positioning, are available upon request - surcharge may apply.

Finishes - See our price list or website for finish availability.

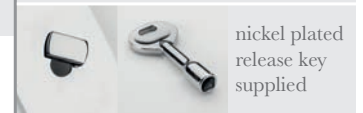


Flush Pulls - Privacy & Cylinder Lock Functions

Shown set up to work with 7565 type lock (see below)



<p>machined to suit US standard cylinder (not supplied)</p>			
<p>▲ --56 Flush Pull with Cylinder Hole</p>	<p>▲ --58 Flush Pull with Turn (diamond spindle orientation)</p>	<p>▲ --55 Pull with Flush Coin Release --40 Pull with Button Coin Release</p>	<p>▲ --57 Flush Pull with Swing Cover Release</p>



Fixings

Supplied with finish matched no.6 x 19mm wood screws. Flush Pulls with Turns are supplied with factory fitted 5mm spindles suitable for doors up to 45mm thick if the face plate is surface mounted (or 51mm thick if flush fitted). Longer spindles are available upon request for doors up to 80mm thick.

How to Order

Refer to pages DF4:010 & 020 for size & design options:

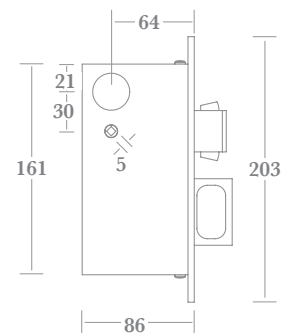
- 1) select PLATE DESIGN (e.g. 66--)
- 2) add FUNCTION (e.g. 6658)
- 3) add SIZE (e.g. 6658F).
- 4) choose DEPTH OPTION (e.g. 6658F/11MM)
- 5) choose FIXING METHOD (e.g. 6658F/11MM/FF)
- 6) add FINISH (e.g. 6658F/11MM/FF/PC)

NB. Custom sizes, and custom Turn/Release positioning, are available upon request - surcharge may apply.

Finishes - See our price list or website for finish availability.



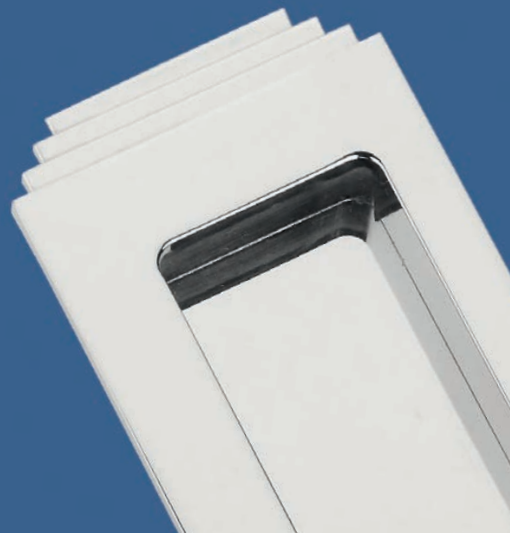
▲ 7565 Lock - See page MC3:050



Flush Pulls - Lipped Designs

A choice of nine Lipped Flush Pull designs suitable for both hinged doors and sliding drawers. All available in 14 sizes with three depth options, and either Face, Pocket or Adhesive fixed, all offered with a choice of functions. The 51mm wide versions have an offset aperture and are a single sided lip design; the 64mm and 76mm wide versions are lipped both sides. Custom sizes are available upon request - surcharge may apply.

3207B/17MM/AF/PC



3207B/17MM/PF shown

3207B/17MM/FF shown

3207B/17MM/AF shown

▲ **PF** pocket fixed

▲ **FF** face fixed (not available on sizes SQA, SQB, SQC)

▲ **AF** adhesive fixed



Pocket fixed countersunk screw holes set at slight angle to facilitate screwdriver access



Overall Depth	14	17	21
Code	14MM	17MM	21MM

FUNCTION OPTIONS - see pages DF4:046

Fixings

Face fixed versions supplied with finish matched wood screws:
17mm & 21mm depth: no.6 x 32mm;
14mm no. 6 x 25mm.

Pocket fixed versions supplied with finish matched no.6 x 19mm wood screws.

Swing Cover Release versions supplied with nickel plated key.

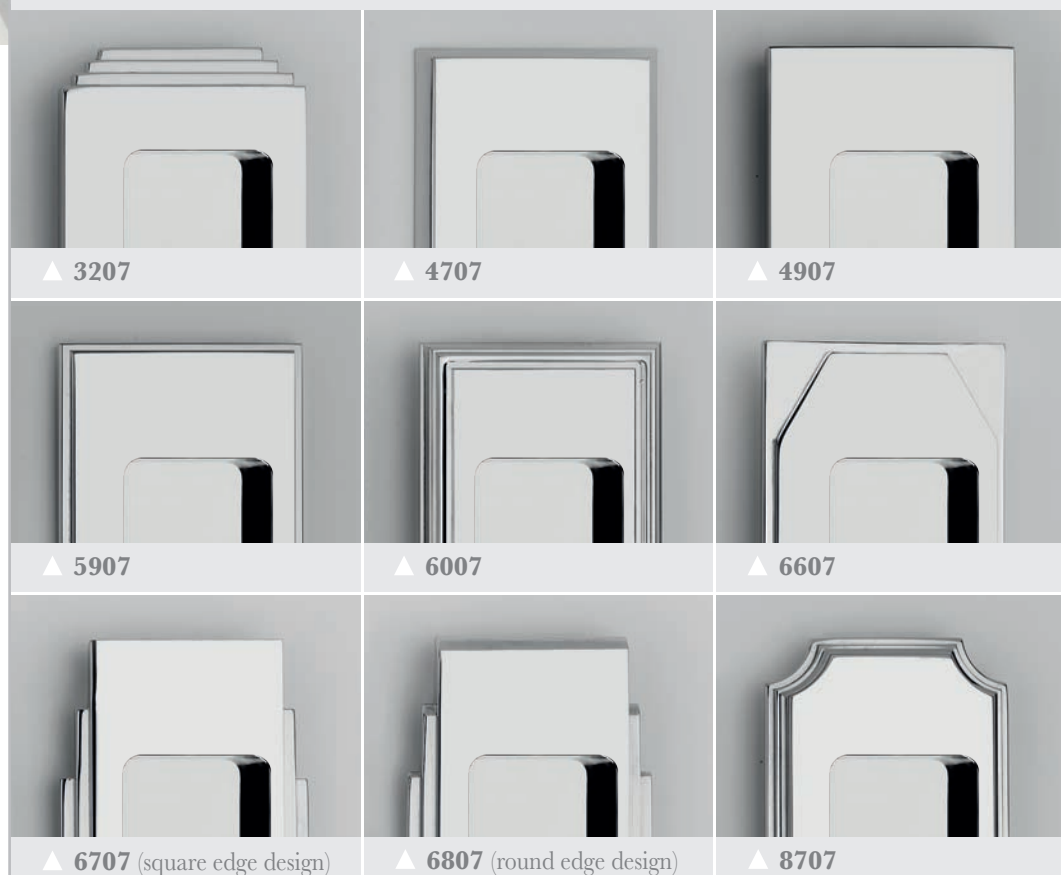
How to Order

Refer to page DF4:046 for size codes:

- 1) select PLATE DESIGN (e.g. **6607**)
- 2) add SIZE (e.g. 6607**B**)
- 3) choose DEPTH OPTION (e.g. 6607B/**14MM**).
- 4) choose FIXING METHOD (e.g. 6607B/14MM/**PF**)
- 5) add FINISH (e.g. 6607B/14MM/PF/**PC**)
- 6) choose FUNCTION if required (e.g. 6607B/14MM/PF/PC/**KH**).

Finishes - See our price list or website for finish availability.

FACE PLATE DESIGNS (51mm width shown)



▲ **3207**

▲ **4707**

▲ **4907**

▲ **5907**

▲ **6007**

▲ **6607**

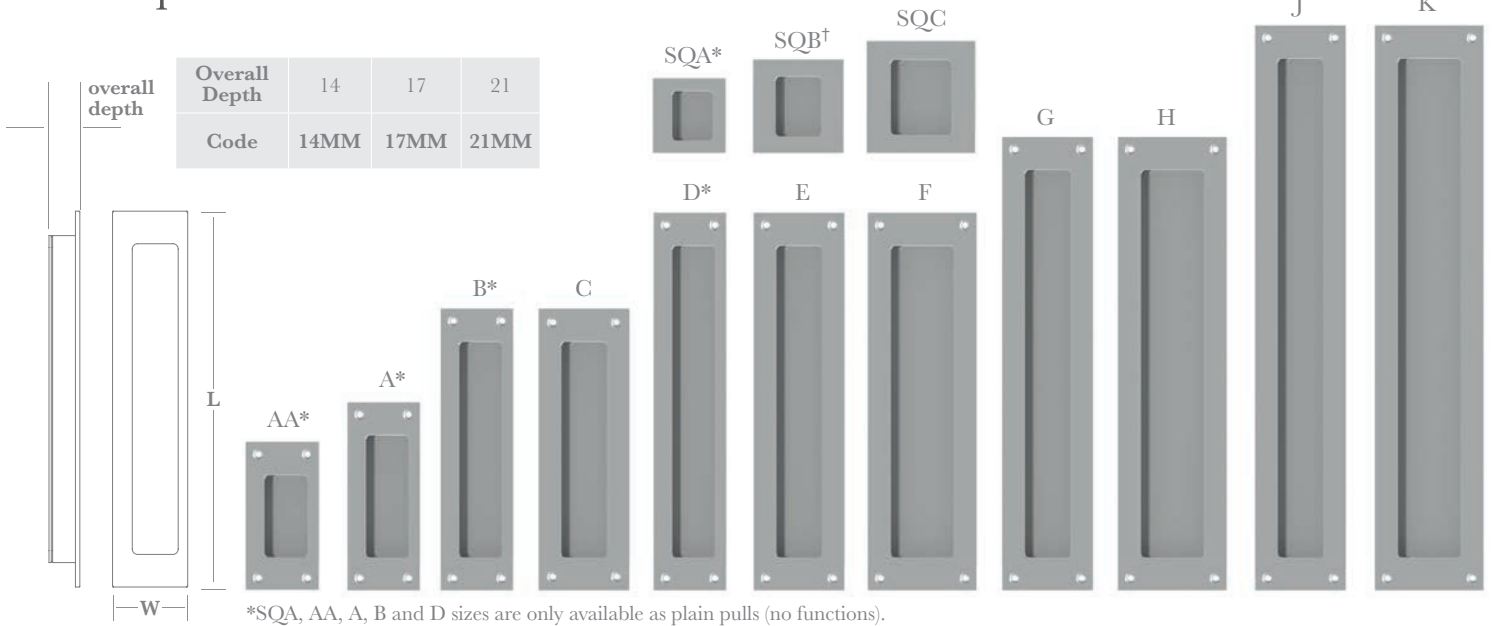
▲ **6707** (square edge design)

▲ **6807** (round edge design)

▲ **8707**

Flush Pulls - Lipped Designs

Size options & dimensions



*SQA, AA, A, B and D sizes are only available as plain pulls (no functions).
 †SQB is not available with Swing Cover Release function.

	SQA	SQB	SQC	AA	A	B	C	D	E	F	G	H	J	K
Size (L x W)	51 x 51	64 x 64	76 x 76	102 x 51	127 x 51	190 x 51	190 x 64	254 x 51	254 x 64	254 x 76	305 x 64	305 x 76	380 x 64	380 x 76
Overall Aperture Size (L x W)	33 x 28	40 x 32	50 x 43	60 x 30	82 x 30	145 x 30	145 x 32	209 x 30	209 x 32	209 x 44	260 x 32	260 x 44	335 x 32	335 x 44
Mortise Size (L x W)	43 x 39	50 x 50	60 x 63	70 x 43	95 x 43	158 x 43	158 x 55	222 x 43	222 x 55	222 x 67	273 x 55	273 x 67	348 x 55	348 x 67
32 Series Design Size (L x W)	69 x 51	82 x 64	94 x 76											

Custom sizes are available upon request - surcharge may apply.

Functions, Mortise Depths & Face Plate Thicknesses (C size shown below)

NB. Please see page DF4:030 for lock centre positions

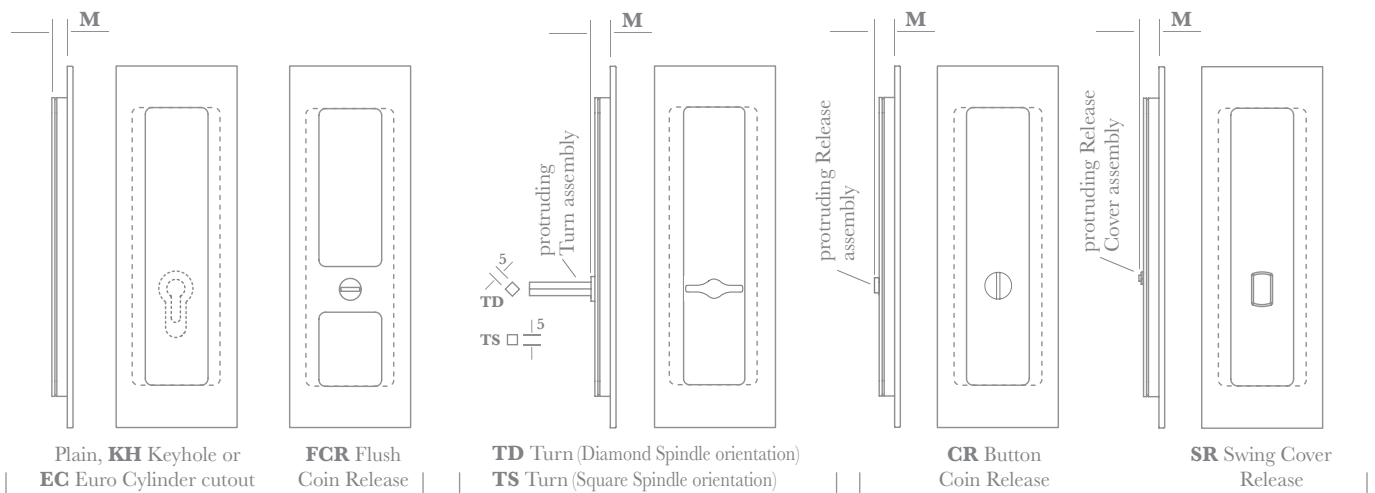
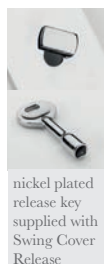


PLATE DESIGN	Face Plate Thickness T	M Mortise Depths								
		Plain Keyhole Euro Cylinder cutout Flush Coin Release			Turn NB. Mortise depths shown below include the extra 2mm required to accommodate the turn assembly.			Swing Cover Release Button Coin Release NB. Mortise depths shown below include the extra 2.5mm required to accommodate the swing cover assembly.		
		14MM	17MM	21MM	14MM	17MM	21MM	14MM	17MM	21MM
32--, 67--, 68--, 87--	4	10	13	17	12	15	19	12.5	15.5	19.5
47--, 49--, 59--, 60--, 66--	3	11	14	18	13	16	20	13.5	16.5	20.5



nickel plated release key supplied with Swing Cover Release

Flush Pulls - Traditional Lipped Designs

A selection of traditional lipped Flush Pulls suitable for sliding doors and drawers.

The lipped feature renders them suitable for use as drawer pulls and on lightweight hinged cabinet doors. These Pulls are not recommended for full size hinged doors.

The 2713, 2714 & 9538 designs are supplied with pocket fixing at the top and bottom of the aperture, as shown below.



▲ 2713



▲ 2714



▲ 9538



▲ 1155



▲ 1157

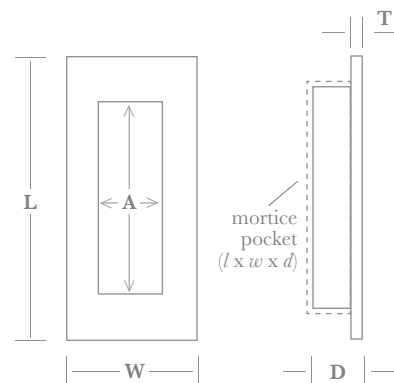


▲ 1159



▲ 3944

FLUSH FIT INSTALLATION
As these Pulls are hand finished the outer face edge dimensions may vary and are not suitable for pre-morticed installations



Fixings

Face fixed Pulls supplied with finish matched no. 6 x 25mm wood screws.
Pocket fixed Pulls supplied with finish matched no. 6 x 19mm wood screws.

How to Order

- 1) select PULL (e.g. 1157)
 - 2) add FINISH (e.g. 1157PB)
- 1155, 2713, 2714 & 9538 - add SIZE (e.g. 1155PB/B).

Finishes - See our price list or website for finish availability.

	1155, 2713 2714, 9538		1157	1159	3944
	A	B			
Size (L x W)	90 x 41	103 x 51	89 x 41	114 x 64	100 x 50
A (aperture)	61 x 21	71 x 25	62 x 19	83 x 34	61 x 21
D (depth)	16	19	16	21	14
T (thickness)	4	4	3	4	6
mortice size (l x w x d)	72 x 30 x 12	84 x 36 x 15	72 x 30 x 13	98 x 51 x 17	72 x 30 x 8

Flush Ring Handles & Coin Releases

A selection of Flush Ring Handles and Coin Releases in three sizes, along with a fully flush version suitable for Squash Court doors, floor fixing for trapdoors, or simply for improved aesthetics.

A smaller Coin Release is also available.

All Coins Releases are supplied with a 5mm - 8mm conversion spindle.



▲ 1086



▲ 1084



▲ 1085



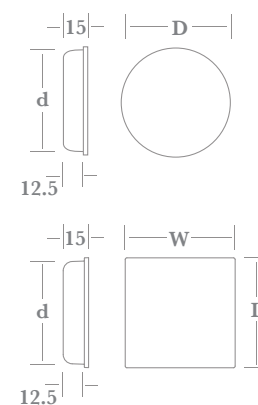
▲ 1083



▲ 1080



▲ 1082



1080, 1082 1084, 1085	A	B	C
D	Ø 63	Ø 73	Ø 88
d	Ø 61	Ø 71	Ø 86

1083 & 1086	A	B	C
L x W	65 x 65	75 x 75	90 x 90
d	Ø 61	Ø 71	Ø 86

1087	
L x W	90 x 90
d	Ø 86

Fixings

1084-7 supplied with finished matched no.6 x 19mm wood screws and 8mm x 90mm spindles.

1080-3 supplied with no.6 x 19mm wood screws and a 5mm square spindle and a 5mm to 8mm conversion spindle.

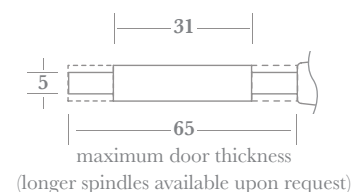
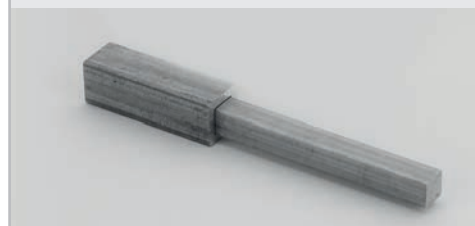
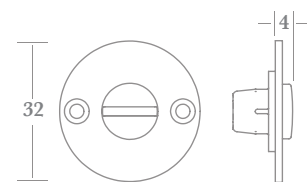
1090 supplied with finish matched no.4 x 13mm wood screws, a 5mm square spindle and a 5mm to 8mm conversion spindle.

How to Order

- 1) select HANDLE/RELEASE (e.g. 1085)
- 2) add FINISH (e.g. 1085PB)
- 3) add SIZE, except 1087 & 1090 (e.g. 1085PB/A).

For FIXED DEAD/DUMMY add FD to code (e.g. 1086PB/A/FD).

Finishes - See our price list or website for finish availability.



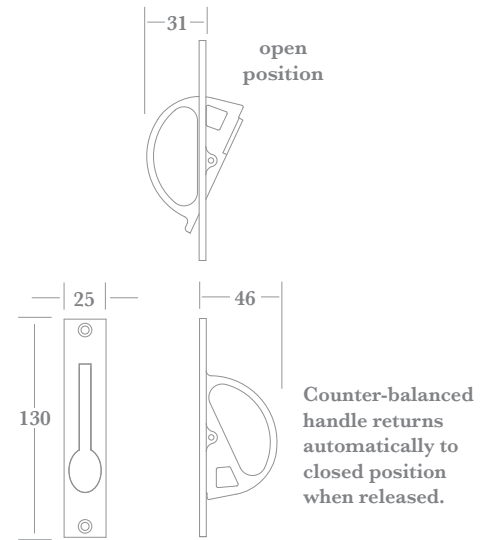
Door Edge Pulls

Three different designs of Door Edge Pulls. The 4377 & 4378 are both robust, heavy duty designs suitable for all door sizes & weights, whilst the 4380 is best suited for light/hollow core doors only.

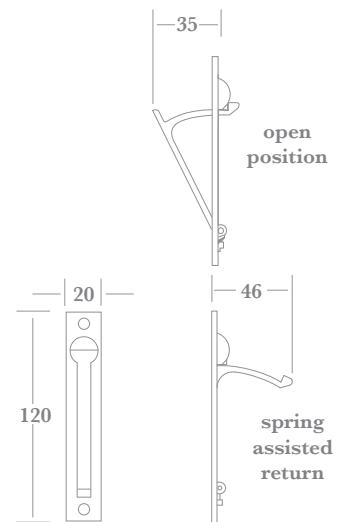
A particular feature of the 4378 is the finish matched Pull, Face Plate, Release Button, and screws.



▲ 4377



▲ 4380 (suitable for light/hollow core doors only)



Fixings

4377 supplied with finish matched no.8 x 25mm wood screws.

4380 supplied with finish matched no.6 x 25mm wood screws.

4378 supplied with no.8 x 25mm wood screws and finish matched face plate machine screws.

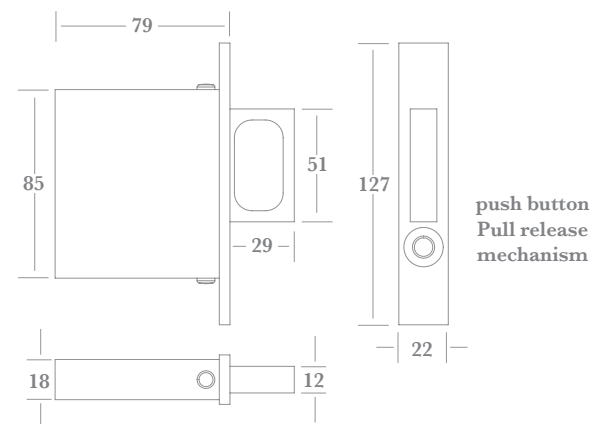
How to Order

- 1) select PULL (e.g. 4377)
- 2) add FINISH (e.g. 4377PC)

Finishes - See our price list or website for finish availability.



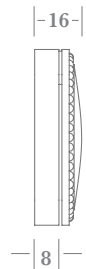
▲ 4378



Light touch Pull retraction or automatic retraction when Pull contacts door frame.

Cylinder Covers

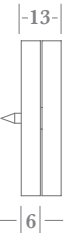
A comprehensive range of Cylinder Covers each offered machined to accept either the UK or US standard mortice cylinders.



▲ 3927 58 x 45



▲ 4057 58 x 45



▲ 4058 50 dia

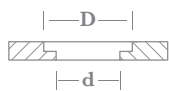
Fixings

4058, 4070 & 4071 - fitted with an anti-rotation pin on the rear.
All others - supplied with finish matched no.6 x 19mm wood screw for anti-rotation.

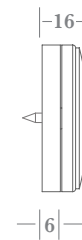
How to Order

- 1) select COVER (e.g. 4057)
 - 2) add FINISH (e.g. 4057**PC**)
 - 3) add CYLINDER TYPE (e.g. 4057**PC/UK** or 4057**PC/US**).
- Please note - cylinder not supplied.

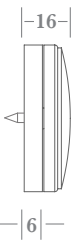
Finishes - See our price list or website for finish availability.



code	Cylinder Type	D	(d)
UK	UK standard	33	30
US	US standard	35	32



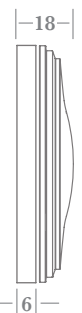
▲ 4070 50 dia



▲ 4071 50 dia

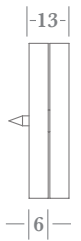
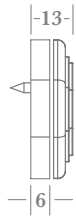


▲ 4062 62 x 39



▲ 4064 77 x 42

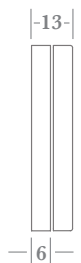
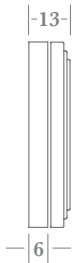
Cylinder Covers



▲ 4066 45 x 45

▲ 4067 45 x 45

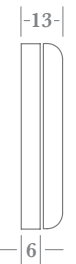
▲ 4059 50 x 50



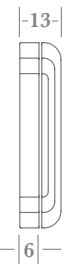
▲ 4060 60 x 38

▲ 4061 60 x 38

▲ 4063 60 x 38



square edge design



round edge design

▲ 4065 60 x 38

▲ 4068 60 x 38

▲ 4069 60 x 38

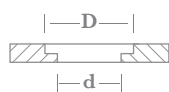
Fixings

4066, 4067 & 4059 - fitted with an anti-rotation pin on the rear.
All others - supplied with finish matched no.6 x 19mm wood screw for anti-rotation.

How to Order

- 1) select COVER (e.g. 4059)
 - 2) add FINISH (e.g. 4059PC)
 - 3) add CYLINDER TYPE (e.g. 4059PC/**UK** or 4057PC/**US**).
- Please note - cylinder not supplied.

Finishes - See our price list or website for finish availability.



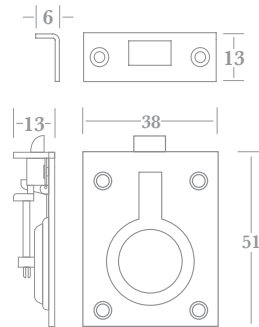
code	Cylinder Type	D	(d)
UK	UK standard	33	30
US	US standard	35	32

Flush Catch

A spring loaded Flush Catch with Angle Strike Plate.



▲ 1025 Flush Catch



Fixings

Supplied with finish matched no.4 x 13mm wood screws.

How to Order

- 1) select PRODUCT (e.g. **1025**)
- 2) add FINISH (e.g. 1025**PB**).

Finishes - See our price list or website for finish availability.

Surface Bolts

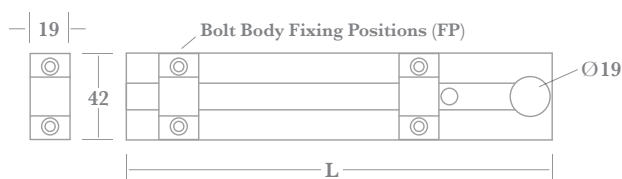
The 0445 Knob Slide Surface Mounted Door Bolt comes with a spring loaded stop button, is offered in several lengths and with a Cranked Shoot option.



▲ 0445 shown with staple option (ST)

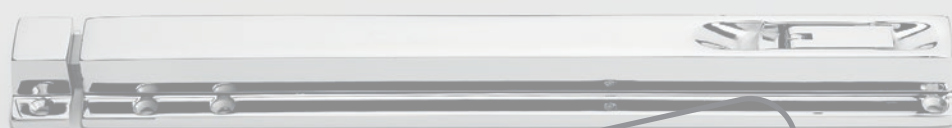


shoot size 13 x 13
length of throw 25
projection 47



	A	B	C	D	E	F	custom lengths upon request (203mm minimum)
L (length)	203	305	381	457	610	914	
FP (no.)	4	4	4	6	6	6	

(*) cranked shoot available on size C and above



▲ 0454 shown with staple option (ST)

Discontinued
May 2021

shoot size 16 x 13
length of throw 16
projection 22

	A	B
L (length)	229	305



Fixings

Bolt Bodies & Staples (ST) supplied with finish matched no.8 x 25mm wood screws.

FP, AP & UP supplied with finish matched no.6 x 19mm wood screws.

How to Order

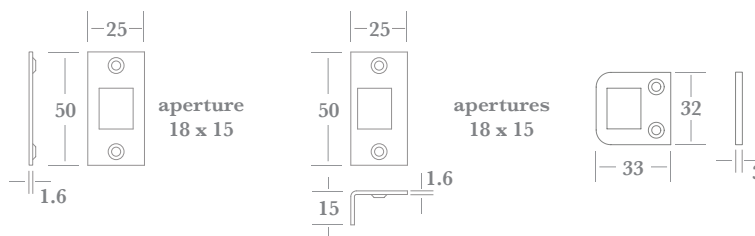
- 1) select BOLT (e.g. 0445)
- 2) add FINISH (e.g. 0445PC)
- 3) add SIZE (e.g. 0445PC/B)
- 4) choose FRAME PLATE/STAPLE if known (e.g. 0445PC/B/UP).

If frame plate/staple is not specified (e.g. 0445PC/B) both an ST and FP will be supplied.

0445 - CRANKED SHOOT available on C size and above (e.g. 0445PC/C/CK or 0445PC/C/UP/CK).

Finishes - See our price list or website for finish availability.

▲ FP Flat Strike Plate	▲ AP Angle Strike Plate	▲ UP Universal Strike Plate	▲ CK cranked version
see pages DB4:020 & 021 to order Strikes & Staples separately if required			



Surface Bolts

Two Surface Mounted Door Bolts incorporating a concealed spring loaded mechanism to hold the bolt shoot in the thrown & retracted positions. Available in various lengths offered with a locking option featuring a finish matched non-removable Locking Cap, a Cranked Shoot version, and the option of a fully retractable Extended Throw.

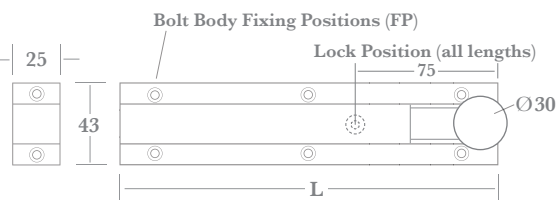


▲ **6481** shown with staple option (ST)

				
▲ LK (size A & above) lockable version with nickel plated key	▲ FP Flat Strike Plate type 2 supplied see pages DB4:020 & 021 to order Strikes & Staples separately if required	▲ AP Angle Strike Plate type 2 supplied	▲ UP Universal Strike Plate type 2 supplied	▲ CK cranked version (*)



shoot size 14 x 8
length of throw 25
(extended throw available - see notes)
projection 39



	AA	A	B	C	D	E	F	custom lengths upon request (100mm minimum)
L (length)	100	150	200	250	300	450	600	
FP (no.)	4	4	6	6	6	8	8	

(*) cranked shoot available on size A and above

Fixings

6481 Bolt Body & Staple (ST) supplied with finish matched no.8 x 25mm wood screws.

6473 Bolt Body & Staple supplied with finish matched no.6 x 25mm wood screws.

FP's, AP's & UP's supplied with finish matched no.6 x 19mm wood screws.

How to Order

- 1) select BOLT (e.g. **6481**)
- 2) choose LOCKING OPTION if required (e.g. 6481**LK**)
- 3) add FINISH (e.g. 6481**PB** or 6481**LK/PB**)
- 3) add SIZE (e.g. 6481**PB/B** or 6481**LK/PB/B**)
- 4) choose FRAME PLATE/STAPLE if known (e.g. 6481**PB/B/FP** or 6481**LK/PB/B/FP**).

If frame plate/staple is not specified (e.g. 6481**LK/PB/B**) both an ST and FP will be supplied.




CRANKED SHOOT available on 150mm and above (e.g. 6481**PB/A/ST/CK**).

EXTENDED THROW available on bolts 200mm+ please specify total throw required (e.g. 6481**PB/B/ST/ET40**).

Finishes - See our price list or website for finish availability.

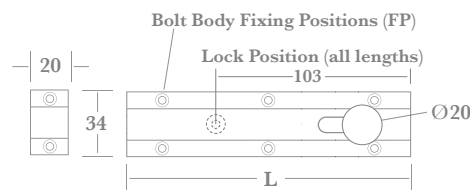


▲ **6473** shown with staple option (ST)

				
▲ LK (size B & above) lockable version with nickel plated key	▲ FP Flat Strike Plate type 3 supplied see pages DB4:020 & 021 to order Strikes & Staples separately if required	▲ AP Angle Strike Plate type 3 supplied	▲ UP Universal Strike Plate type 3 supplied	▲ CK cranked version (*)



shoot size 10 x 10
length of throw 20
(extended throw available - see notes)
projection 28



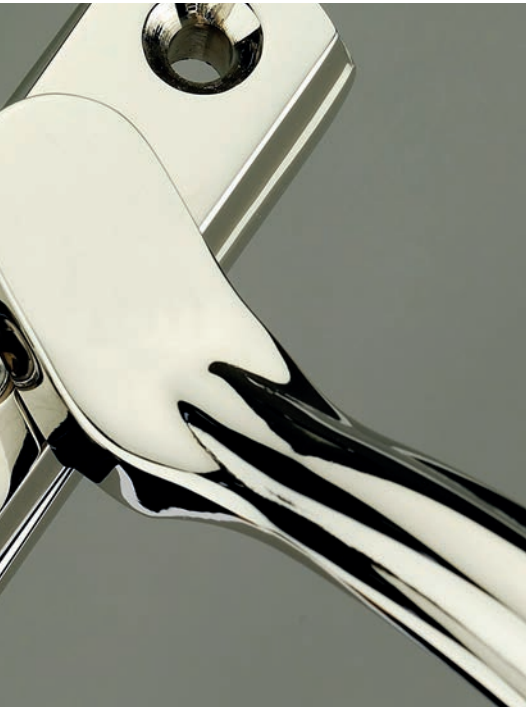
	A	B	C	custom lengths upon request (100mm minimum)
L (length)	100	150	200	
FP (no.)	4	6	6	

(*) cranked shoot available on size B and above

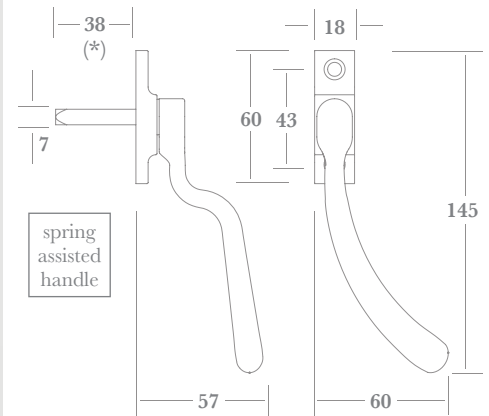
Espagnolette Handles

Three traditional period Espagnolette Handles designed to operate multipoint window mechanisms, all feature spring assistance for positive open and closed positioning.

A lockable version with removable key is also available, as is an optional 8mm adaptor sleeve.



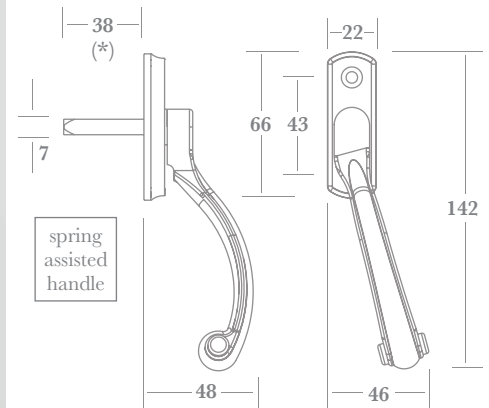
▲ **0350** (RH shown)



(*) other lengths available upon request



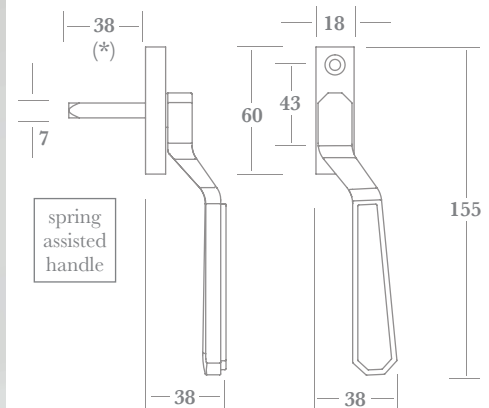
▲ **0355** (RH shown)



(*) other lengths available upon request



▲ **9585** (RH shown)



(*) other lengths available upon request

Fixings

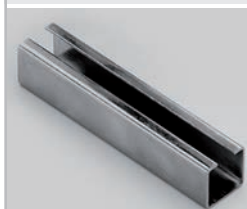
Supplied with finish matched M5 x 40mm machine screws and fitted spindle.

How to Order

- 1) select HANDLE (e.g. **0350**)
- 2) choose LOCKING OPTION if required (e.g. **0350LK**)
- 3) add FINISH (e.g. **0350PB**, or **0350LK/PB**)
- 4) add HANDING (e.g. **0350PB/LH**, or **0350LK/PB/LH**).

NB. An adaptor sleeve is available for locking mechanisms with an 8mm hub (e.g. **0350PB/LH/8MM**).

Finishes - See our price list or website for finish availability.



▲ optional 8mm adaptor sleeve (stainless steel)



▲ **LK** version with nickel plated key



Espagnolette Handles

Three classic and two contemporary Espagnolette Handles designed to operate multipoint window mechanisms, each featuring spring assistance for positive open and closed positioning. A lockable version with removable key is also available.



Fixings

Supplied with finish matched M5 x 40mm machine screws and fitted spindle.

How to Order

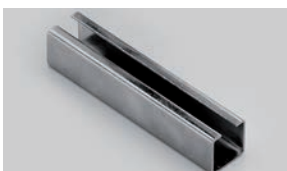
- 1) select HANDLE (e.g. **0306**)
- 2) choose LOCKING OPTION if required (e.g. 0306**LK**)
- 3) add FINISH (e.g. 0306**PB**, or 0306LK/**PB**)
- 4) add HANDING (e.g. 0306PB/**LH**, or 0306LK/PB/**LH**).

NB. An adaptor sleeve is available for locking mechanisms with an 8mm hub (e.g. 0306LK/PB/LH/**8MM**).

Finishes - See our price list or website for finish availability.



LK version with nickel plated key



optional 8mm adaptor sleeve (stainless steel)



▲ 0292

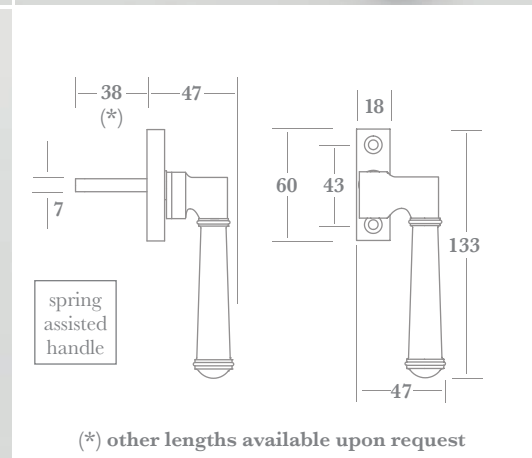


▲ 0308



▲ 0306

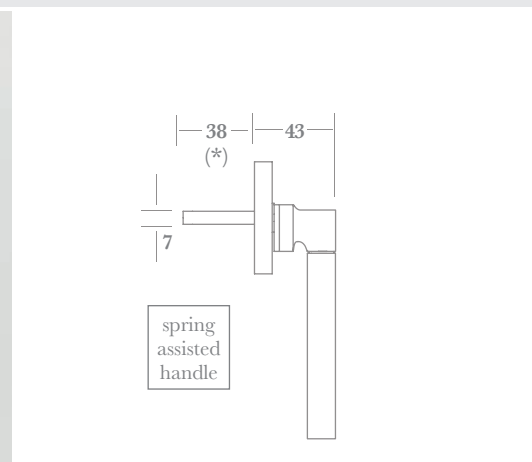
(RH shown)



(* other lengths available upon request

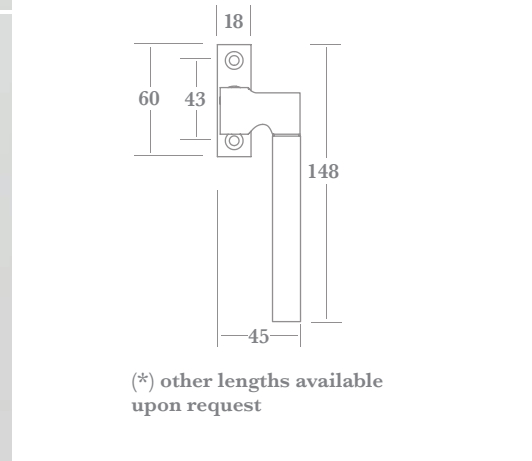


▲ 0351



▲ 0352

(RH shown)



(* other lengths available upon request

Espagnolette Handles

Four classic and one monkey tail design Espagnolette Handle's for the operation of multipoint window mechanisms, each featuring spring assistance for positive open and closed positioning.

A lockable version with removable key is also available, and optional 8mm adaptor sleeve.



▲ 0290



▲ 0300



▲ 0302



▲ 0304

Fixings

Supplied with finish matched M5 x 40mm machine screws and fitted spindle.

How to Order

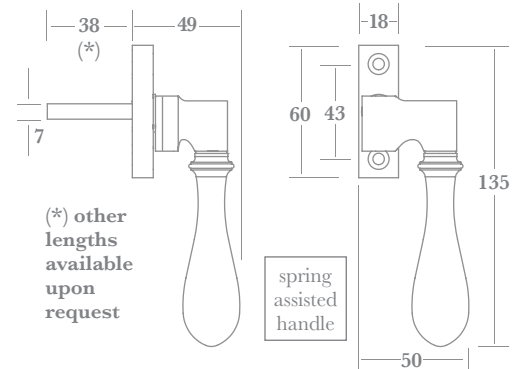
- 1) select HANDLE (e.g. 0302)
- 2) choose LOCKING OPTION if required (e.g. 0302LK)
- 3) add FINISH (e.g. 0302PB, or 0302LK/PB)
- 4) add HANDING (e.g. 0302PB/LH, or 0302LK/PB/LH).

NB. An adaptor sleeve is available for locking mechanisms with an 8mm hub (e.g. 0302LK/PB/LH/8MM).

Finishes - See our price list or website for finish availability.



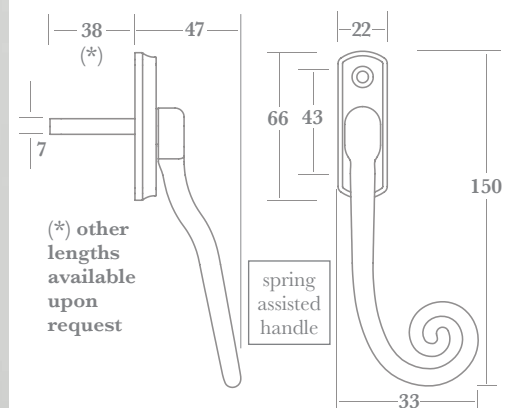
LK version with nickel plated key



▲ 0360



0360LK with nickel plated key

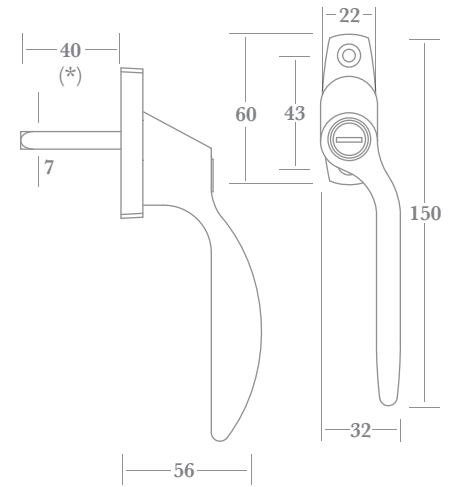


Espagnolette Handles

Three designs of Espagnolette Handle for the operation of multipoint window mechanisms. Available with an optional 8mm adaptor sleeve if required.



two nickel plated keys supplied

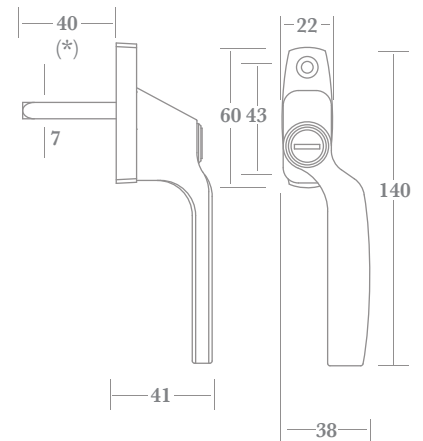


(* other lengths available upon request

▲ 0358 (RH shown)



two nickel plated keys supplied



(* other lengths available upon request

▲ 0359 (RH shown)

Fixings

Supplied with finish matched M5 x 40mm machine screws and fitted spindle.

How to Order

- 1) select HANDLE (e.g. 0359)
- 2) add FINISH (e.g. 0359PB)
- 3) add HANDING (e.g. 0359PB/LH).

NB. An adaptor sleeve is available for locking mechanisms with an 8mm hub (e.g. 0359PB/LH/8MM).

Finishes - See our price list or website for finish availability.

CYLINDER FINISHES 0358 & 0359

Please note: We offer two cylinder lock finishes - Brass or Nickel. The most appropriate will be supplied to match the product finish chosen.

Please contact us should you have a specific preference.



▲ optional 8mm adaptor sleeve (stainless steel)

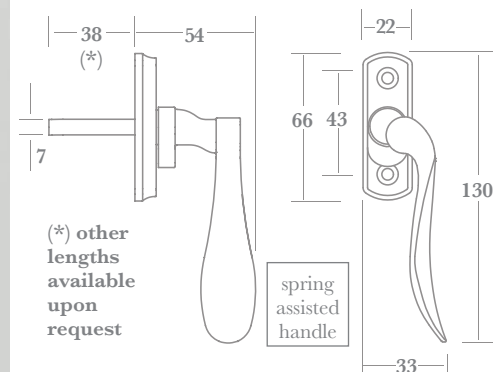


0361LK with nickel plated key



RH shown

▲ 0361



(* other lengths available upon request

spring assisted handle

Casement Fasteners



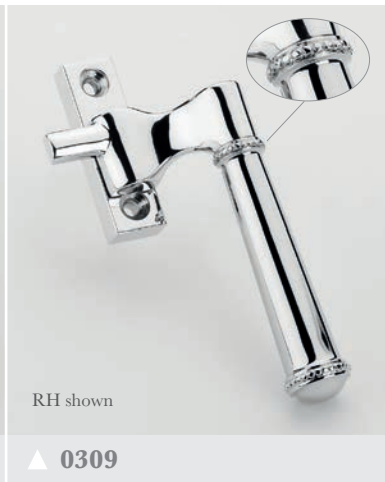
RH shown

▲ **0293**



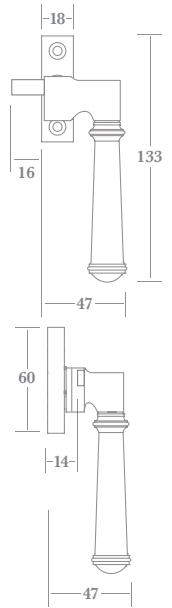
RH shown

▲ **0307**



RH shown

▲ **0309**



supplied with either a mortice plate **MP**, hook plate **HP**,
or rim strike **RS** (see below)

Classic Fastener designs for open-in & open-out, side & top hung casement windows.

They all feature a deep tongue projection which is particularly useful for open-out windows with thick weather seals or open-in windows with raised edge mouldings.

Lockable versions with a removable key are also available.

Fixings

Supplied with finish matched no.8 x 25mm wood screws.

How to Order

- 1) select FASTENER (e.g. **0303**)
- 2) add FRAME PLATE/STRIKE (e.g. 0303**HP**)
- 3) choose LOCKING OPTION (e.g. 0303**HP/LK**)
- 4) add FINISH (e.g. 0303**HP/PC** or 0303**HP/LK/PC**)
- 5) add HANDING (e.g. 0303**HP/PC/LH** or 0303**HP/LK/PC/LH**).

Finishes - See our price list or website for finish availability.



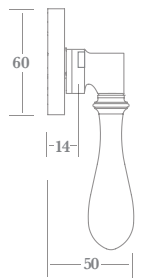
RH shown

▲ **0301**



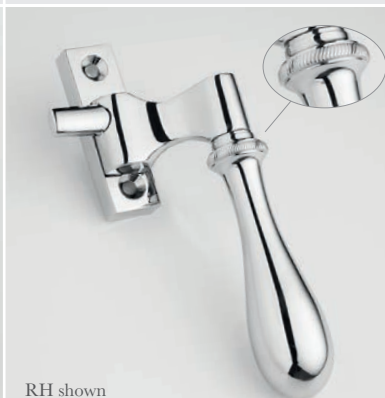
RH shown

▲ **0303**



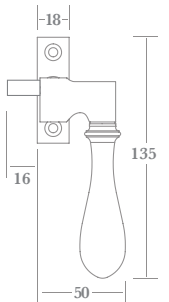
RH shown

▲ **0305**



RH shown

▲ **0291**



supplied with either a mortice plate **MP**, hook plate **HP**, or rim strike **RS** (see below)



▲ **LK** version with nickel plated key



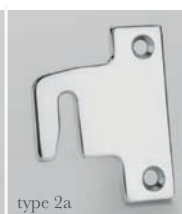
▲ Available with an extended tongue up to 75mm long. Contact us for coding/pricing.



▲ **MP** mortice plate



▲ **HP** hook plate



▲ **RS** rim strike

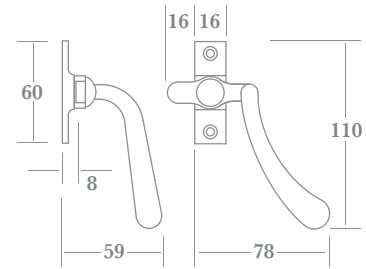
see page WF2:200 for dimensions (and ordering separately)

Casement Fasteners

Two traditional period Fastener designs for open-in and open-out, side and top hung casement windows. Matching Window Stays can be found on page WF2:110



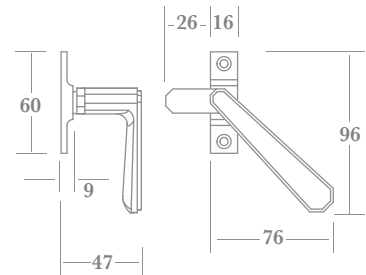
RH shown



▲ **0222** supplied with either a mortice plate **MP**, hook plate **HP**, or rim strike **RS** (see below)



RH shown



▲ **9576** supplied with either a mortice plate **MP**, hook plate **HP**, or rim strike **RS** (see below)

Fixings

Supplied with finish matched no.8 x 25mm wood screws.

How to Order

- 1) select FASTENER (e.g. **0222**)
- 2) add FRAME PLATE/STRIKE (e.g. **0222HP**)
- 3) add FINISH (e.g. **0222HP/PC**)
- 4) add HANDING (e.g. **0222HP/PC/LH**)

Finishes - See our price list or website for finish availability.

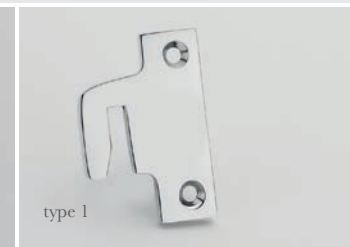


▲ **MP** mortice plate



type 1

▲ **HP** hook plate



type 1

▲ **RS** rim strike

